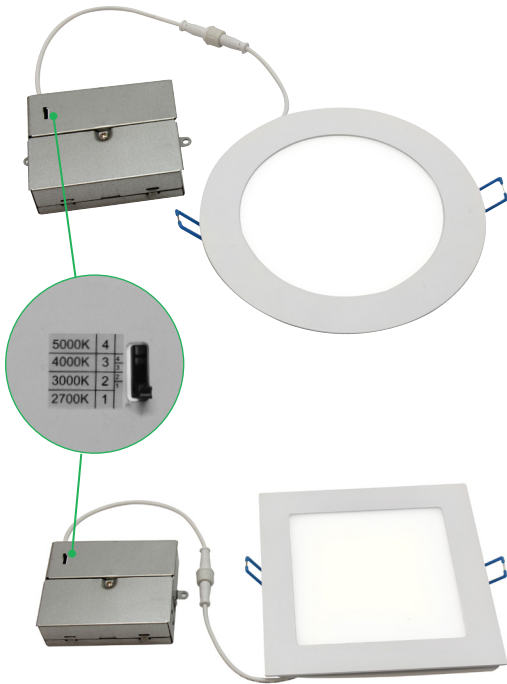


**SLIM DOWNLIGHT**  
SDL SERIES (CCT Selectable)



ETL CLASSIFIED



**PRODUCT DESCRIPTION:**

The Slim Downlight with field selectable CCT technology mounts directly into the ceiling – no recessed can required! With just a simple flick of a switch on the remote driver/junction box, installers can choose from a range of 2700K, 3000K, 4000K and 5000K to suit various application needs. Low profile and easy to install, the fixture is rated for IC and wet locations.

Edge lit optics provide even, low glare illumination and outstanding color rendering, making the ENERGY STAR certified downlight the ideal choice for hospitality, retail, office and other commercial spaces. Multiple diameters in round and square form factors deliver style and versatility across myriad interior applications.

**FEATURES:**

- CRI: >90
- Beam angle: ~110°
- Suitable for wet locations
- IC rated and Airtight construction
- Mounts into ceiling without the use of separate housing
- T24, JA8-2016 compliant – all relevant models

**CONSTRUCTION:**

- Module construction includes LED, lens, and white trim
- Impact-resistant plastic lens
- Fits recessed cans with torsion springs (6" retrofit) or 'C' shaped brackets (4" retrofit)
- Default CCT is 3000K

**ELECTRICAL:**

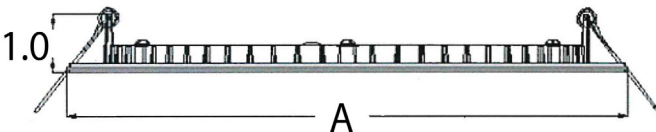
- 120V, 60Hz
- Triac dimmable down to 10%
- L70 of 50,000 hours
- Power factor: > 0.9

**WARRANTY:**

5-year standard warranty (further details available at [www.maxlite.com/warranties](http://www.maxlite.com/warranties))  
Product may be eligible for a warranty extension to 10 years, for an additional fee. Contact MaxLite for details.



**DIMENSIONS:**



\*Detailed dimensions on page 2

MODEL SELECTION (Full Order List On Page 2)		Typical order example: SDLR413CSWJ				
FAMILY	SHAPE	SIZE	WATTAGE	CS	TRIM	CRI/JA8
SDL= Slim Downlight Fixture	R= Round	4= 4 in.	13= 13W	CS= Selectable	W = White	J= 90 CRI; T24-JA8-2016 compliant
	S= Square	6= 6 in.	16= 16W			
		8= 8 in.	20= 20W			

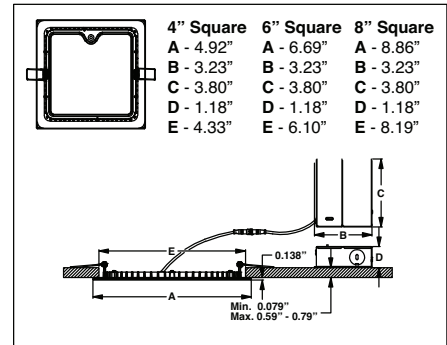
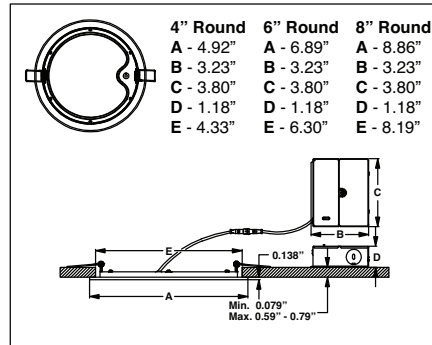
**SPECIFICATIONS:**

ITEM	SPECIFICATION	DETAILS					
		SDLR413CSWJ	SDLR616CSWJ	SDLR820CSWJ	SDLS413CSWJ	SDLS616CSWJ	SDLS820CSWJ
<b>GENERAL PERFORMANCE</b>	Power Consumption (W)	13W	16W	20W	13W	16W	20W
	Lumens Delivered (lm)	796 lm	1,126 lm	1,520 lm	836 lm	1,126 lm	1,516 lm
	Efficacy (lm/W)	66 lm/W	71 lm/W	77 lm/W	66 lm/W	71 lm/W	76 lm/W
	CRI	> 90					
	Color Temperature (CCT)	CS= 2700K, 3000K, 4000K, 5000K/ Default CCT is 3000K					
	L70 Lifetime (hours)	50,000					
	Color Consistency	Proprietary binning for uniform color					
<b>ELECTRICAL</b>	Power Factor	0.9					
	Input Voltage	120V					
	Compatible Dimmers	Triac Dimmable					
<b>PHYSICAL</b>	Mounting	Mounts into existing recessed frame					
	Operating Temperature	-4°F to 104°F					
	Humidity	20-85% RH, non-condensing					
<b>QUALIFICATION</b>	Certification	Energy Star, FCC, T24, ETL, IC and AT Rated					
	Material Usage	RoHS compliant; no mercury					
	Environment	Wet Listed					
	Warranty	5 year warranty					

**ORDERING:**

ORDER CODE	MODEL NUMBER
102887	SDLR413CSWJ
102888	SDLR616CSWJ
102889	SDLR820CSWJ
102890	SDLS413CSWJ
102891	SDLS616CSWJ
102892	SDLS820CSWJ

**DETAILED DIMENSIONS:**



**COMPATIBLE DIMMERS:**

MANUFACTURER	MODEL NUMBER
LEVITON	6684, 6672, IPL06, 6681, 6683-10Z
LUTRON	S-600, VWCL-153PH, S-600H, D-600RH-DK, SCL-153P, D-600R, DVCL-153PH, S-600-IV, S-600-AL, DVCL 153P, DVWCL-153PH, AYCL-153P, MACL-153MR, AYCL-153PH, MACL-153MH, DVCL-253PH, MSCL-OP153MH, TGCL-153PH, MACL-153MLH
LEGRAND	6684, 6672, IPL06, 6681, 6683-10Z