

## LED STRIP RETROFIT KIT RS SERIES



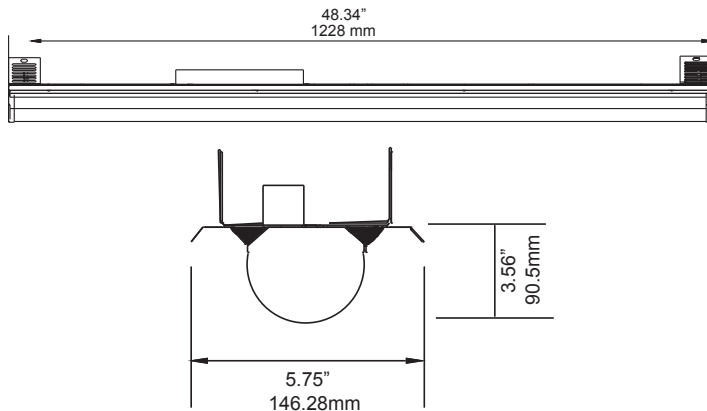
### PRODUCT DESCRIPTION:

Retrofits existing 4' and 8' fluorescent strips and Industrial fixtures to LED in as little as one minute. Industry's fastest LED strip retrofit kit. The universal design fits most 4.25" and 5.25" T8/T12 fluorescent wide strips.

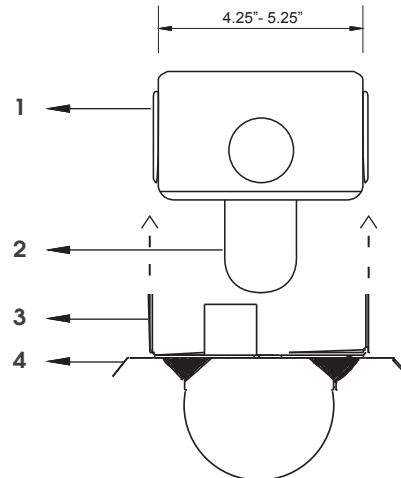
### FEATURES:

- 2 of the 4' units combine with a simple bracket provided to make 8' units to retrofit 8' T8 fluorescent fixtures.
- Driver efficiency >85%.
- CRI >80
- L70 lumen maintenance of 50,000 hours
- 5 year limited warranty
- 0-10v dimming standard, product dimmable down to 10%
- Universal 120-277V
- Suitable for Damp locations
- Optional motion sensor available

### PRODUCT DIMENSIONS:



### MOUNTING DIMENSIONS:



### NOTES:

1. Existing housing (not provided)
2. Existing sockets to be removed
3. Adjustable brackets form the retrofit kit. Fits over existing pan
4. Lensed retrofit snaps in place

MODEL SELECTION (Full list of order codes on pg. 2)		Typical order example: RS-4835U-50			
FAMILY	SIZE	WATTAGE (NOMINAL)	VOLTAGE	CCT	SENSOR
RS= Retrofit Strip	48= 4ft	35= 35W 46= 46W	U= 120-277V	40= 4000K 50= 5000K	(OMIT)= None MS= Bi-Level Motion Sensor with Remote Control Capability


**SPECIFICATIONS:**

		RS-4835U-XX	RS-4846U-XX
ITEM	SPECIFICATION	DETAILS	
<b>GENERAL PERFORMANCE</b>	Power Consumption (W)	32.9	46
	Lumens Delivered (lm)	4,501	5,980
	Efficacy (lm/W)	134	130
	CRI	≥80	
	Color Temperature (K)	4000K, 5000K	
	L70 Lifetime (hours)	50,000	
	Color Consistency	Proprietary binning for uniform color	
<b>ELECTRICAL</b>	Power Factor	0.9	
	Input Voltage	120-277V	
<b>PHYSICAL</b>	Mounting	Retrofits into current linear fixtures	
	Operating Temperature	-20°C to 40°C	
	Humidity	20-85% RH, non-condensing	
<b>QUALIFICATION</b>	Qualifications	DLC 4.2 Premium, FCC, cULus	
	Material Usage	RoHS compliant; no mercury	
	Environment	Indoor/Damp	
	Warranty	5 Years	

**ORDERING\*:**

ORDER CODE	MODEL NUMBER	WATTAGE	CCT
1409412	RS-4835U-50	35W	5000K
1409981	RS-4835U-50MS		
1410111	RS-4846U-50	46W	
1410112	RS-4846U-50MS		

\*Please contact your MaxLite representative to order products that don't have order codes listed here.  
\*3500K is a special order only.

ACCESSORIES			
ORDER CODE	MODEL NUMBER	DESCRIPTION	ACCESSORY IMAGE
108133	RMHYTHRC-05	Remote Control for MS Commissioning	

SENSOR					
SENSOR	TECHNOLOGY	DIMMING	DAYLIGHT HARVESTING	REMOTE CONTROL	QR CODE
MS	High Frequency	Bi-Level	Set Point	Yes	