

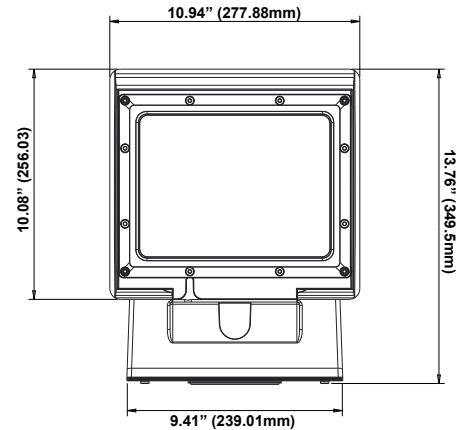
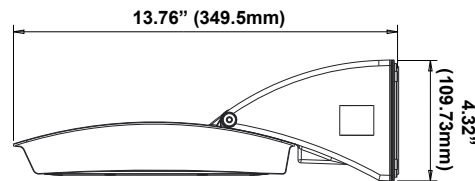
## ADJUSTABLE WALL MOUNT LUMINAIRE

Thoughtfully designed for downlighting, the **MPulse Wall Mount** features an adjustable head that enables its use as an open face or cutoff fixture. It takes just one person to install and service the MPulse Wall Mount luminaire. The back plate mounts to the surface and allows for the wall mount to hang for easy wiring. Once the power supply is connected, the fixture is secured into place with screws. A hinged back cover provides access to the driver for quick and easy replacement in the field.

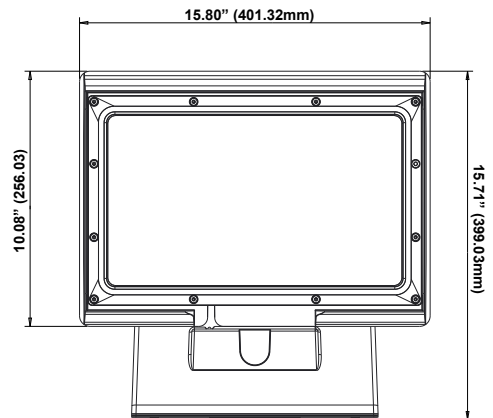
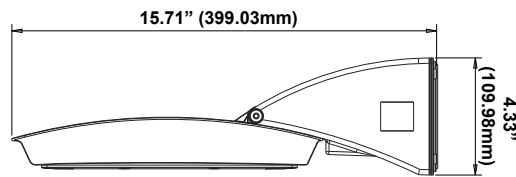


Visual Comfort (VC)

**28W & 55W**



**100W**



### PERFORMANCE:

- Available in lumen packages of 3000, 6000, and 11500 lumen
- LEDs have a calculated lumen maintenance value of > 93% (L93) at 100,000 hours calculated at 25°C
- 120-277V dimming standard. 347-480V options available

### DESIGN:

- 0-45 degree field adjustable head

### OPTICS:

- Available in Type III and Type IV optics
- Visual comfort available in 28W and 55 W

### OPTIONS:

- 120-277V External Button Photocell
- 10kV Surge Suppressor
- High/Low/Off PIR fixture integrated photo/motion sensor compatible with FSIR-100 remote control

### FINISHES:

- Satin bronze finish standard
- Also available in silver finish

### CONSTRUCTION:

- Die Cast Aluminum housing
- Tempered Glass 3.2T

### MOUNTING:

- Designed to mount to standard 3.5" or 4" J-box
- Uniquely designed for ease of installation by one person

### ENVIRONMENT:

- Listed for use in wet locations to UL standards and meet IP66 rating

### PHOTOMETRICS:

All .IES files available online. Please see page 3-5 for Iso-footcandle layouts.



# ADJUSTABLE WALL MOUNT LUMINAIRE

## CONTROLS:

**120-277VAC Photocontrol:** Universal voltage photocontrols turn fixture on and off based on footcandle levels to help conserve energy during daylight hours. The operating temperature of the photocontrol is -30°F-120°F. Photocell mounted external.

**Photo/Motion Sensor:** The Wattstopper FSP-211 uses passive infrared (PIR) sensing technology to react to changes in infrared energy (i.e. moving body heat) within the coverage area. This slim, low-profile sensor is designed for installation inside the bottom of a light fixture body and is ideal for outdoor environments. The sensor operates at 120V/230V-240V and single phase 277V. The motion sensor is fully adjustable with high and low dimmed light level options with optional dusk to dawn control. Sensor can be combined with various lenses to operate at mounting heights from 8' to 40'. Factory settings can be adjusted via the FSIR-100, a wireless configuration tool. **Note that the sensor comes with photocell setting disabled and the FSIR-100 must be purchased if photocell capability is desired.**

## SPECIFICATIONS:

Item	Specification	28 WATTS - DETAILS	55 WATTS - DETAILS	100 WATTS - DETAILS
General Performance	Input Power (W)	28	55	100
	Lumens Delivered @4000K (lm)	3,200 (2,500 VC)	6,200 (4,600 VC)	11,550
	Lumens Delivered @5000K (lm)	3,230	6,250	11,730
	Efficacy (lm/W)	116 (95 VC)	113 (88 VC)	121
	CRI	≥70		
	Calculated Lumen Maintenance (L93, TM-21 @ 25°C)	>100,000 hours		
	Color Temperature	4000K and 5000K available		
Backlight - Uplight - Glare	B1 - U1 - G1		B2 - U1 - G2	
Electrical	Input Voltage	120-277V standard, 347-480V available		
	Power Factor	>90%		
Physical	Housing	Die-cast aluminum		
	Mounting	Fits 3.5" or 4" J-boxes or mounts directly		
	Weight	9lbs.	13lbs.	
Qualification	Qualification	DLC Premium, cULus listed, DLC Standard**		
	Environment	Wet location rated, IP66		
	Warranty	10 years		
	Operating Temperature	-40°F - 122°F (-40°C - 50°C), (0°C - 50°C for Battery Backup units)		
	Humidity	10% - 90% RH, non condensing		

\*Lighting layouts and spacing criteria available upon request.

\*\*Visual Comfort Models (28W, 55W)

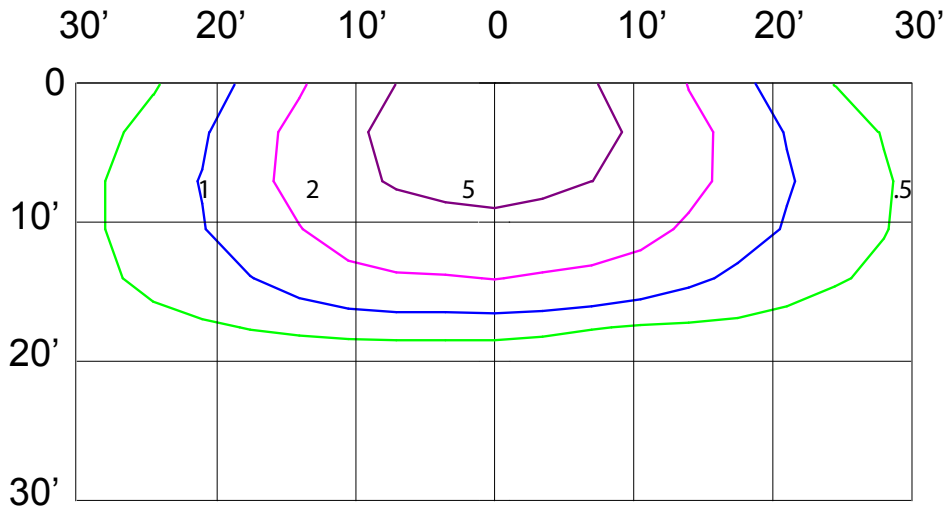
MODEL SELECTION																	
Typical order example: MP-SM100UT3-50B																	
MP	-	SM															
FAMILY	-	SUB-FAMILY	WATTAGE	VOLTAGE	DISTRIBUTION	-	CCT	FINISH	OPTIONS								
MP=	MPulse	-	SM=	Wall Mount	28=	28W, 175W, MH equivalent	U=	120-277V	T3=	Type III	-	40=	4000K	B=	Bronze	(BLANK)=	None
					55=	55W, 250W, MH equivalent	H=	347-480V	T4=	Type IV		50=	5000K	S=	Silver	MS=	Photo/Motion Sensor
					100=	100W, 400W, MH equivalent			*T5- VC8=	Type V Visual Comfort					Contact Maxlite for additional finishes	PC=	120-277V Button Photocell
																SS=	10kV Surge Suppressor

## Notes:

\* Available in 28W and 55W Only

# ADJUSTABLE WALL MOUNT LUMINAIRE

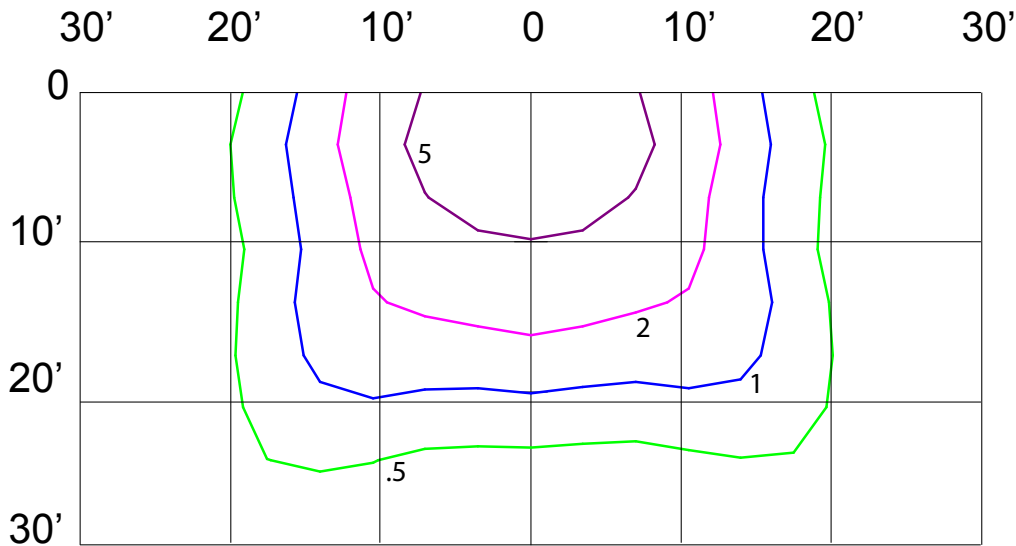
## 28W ISO-FOOTCANDLE LAYOUTS:



**28W, Type III**  
**3,000 Lumens**  
**10' Mounting Height**

Foot-candle Correction Factor:

New Height:	10'	15'	20'
Multiply by:	1	0.44	0.25



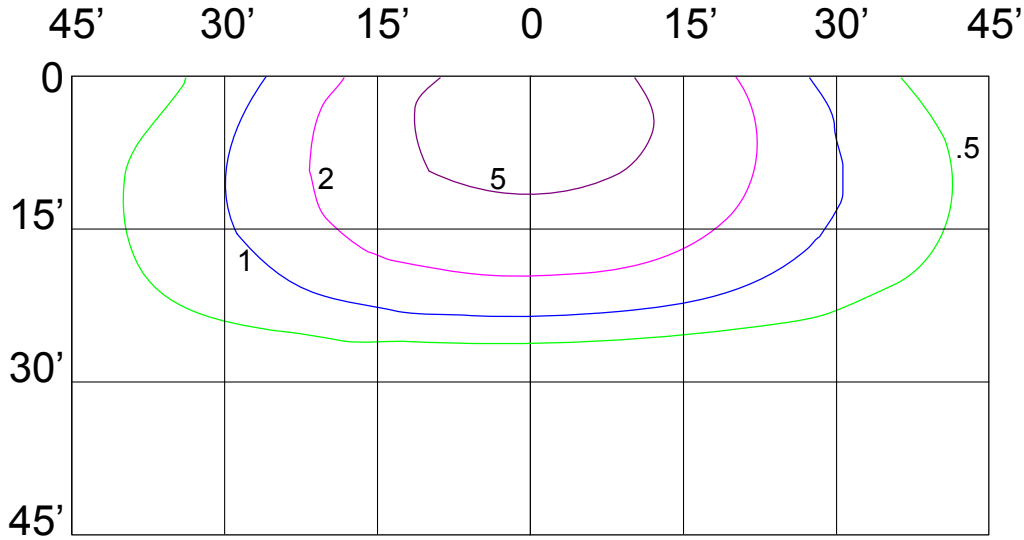
**28W, Type IV**  
**3,000 Lumens**  
**10' Mounting Height**

Foot-candle Correction Factor:

New Height:	10'	15'	20'
Multiply by:	1	0.44	0.25

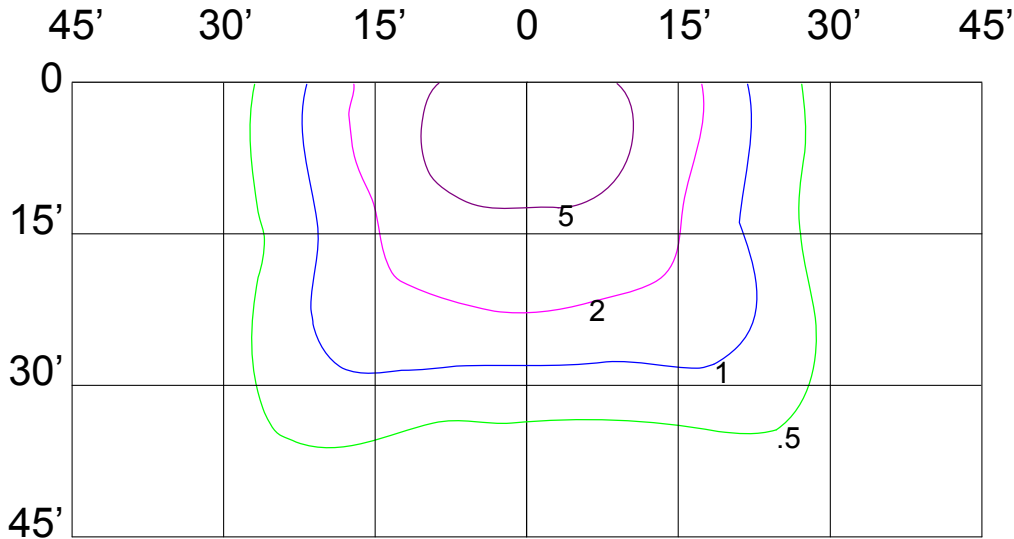
# ADJUSTABLE WALL MOUNT LUMINAIRE

## 55W ISO-FOOTCANDLE LAYOUTS:



**55W, Type III**  
**6,000 Lumens**  
**15' Mounting Height**  
 Foot-candle Correction Factor:

New Height:	10'	15'	20'
Multiply by:	2.08	1	0.56

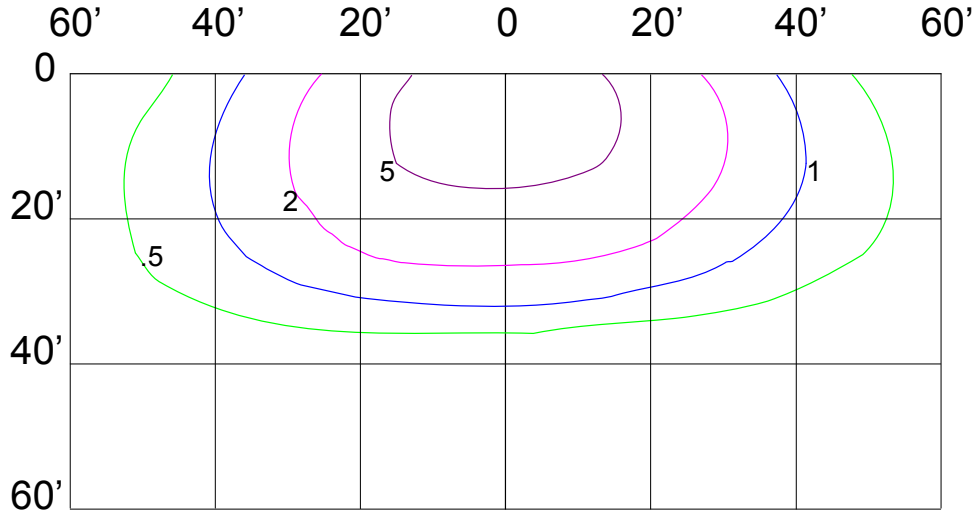


**55W, Type IV**  
**6,000 Lumens**  
**15' Mounting Height**  
 Foot-candle Correction Factor:

New Height:	10'	15'	20'
Multiply by:	2.08	1	0.56

## ADJUSTABLE WALL MOUNT LUMINAIRE

### 100W ISO-FOOTCANDLE LAYOUTS:



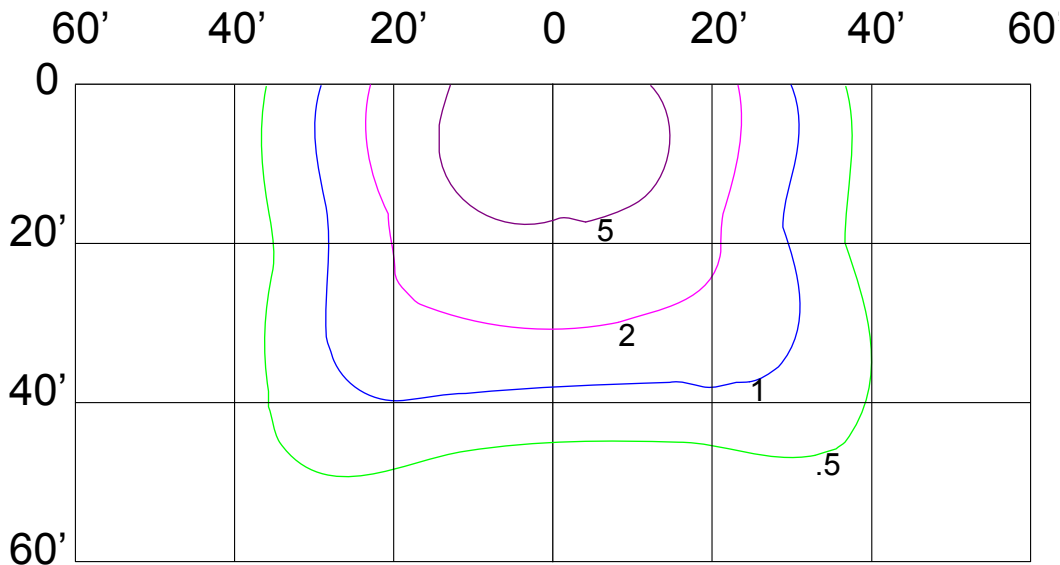
**100W, Type III**

11,500 Lumens

20' Mounting Height

Foot-candle Correction Factor:

New Height:	15'	20'	25'
Multiply by:	1.78	1	0.68



**100W, Type IV**

11,500 Lumens

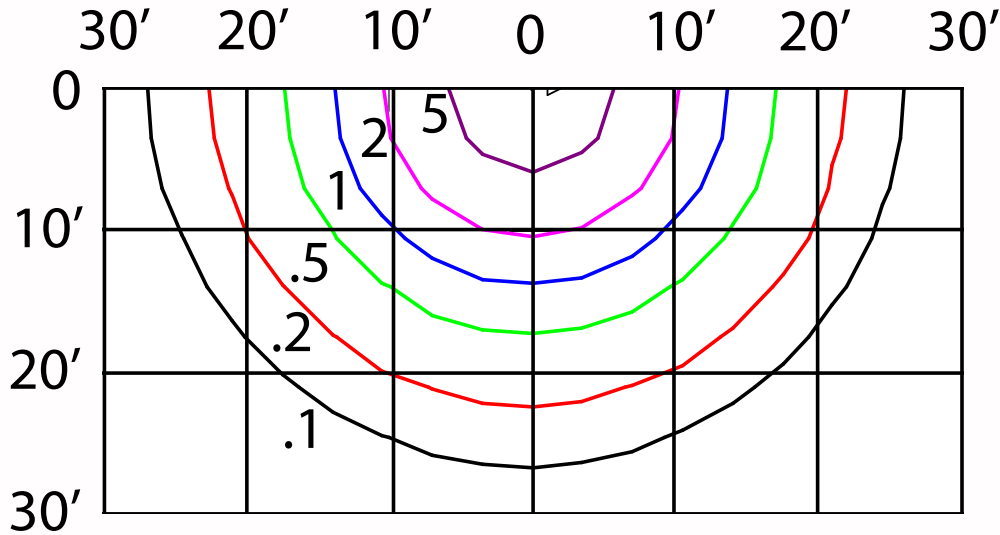
20' Mounting Height

Foot-candle Correction Factor:

New Height:	15'	20'	25'
Multiply by:	1.8	1	0.63

# ADJUSTABLE WALL MOUNT LUMINAIRE

## 28W VISUAL COMFORT ISO-FOOTCANDLE LAYOUT:

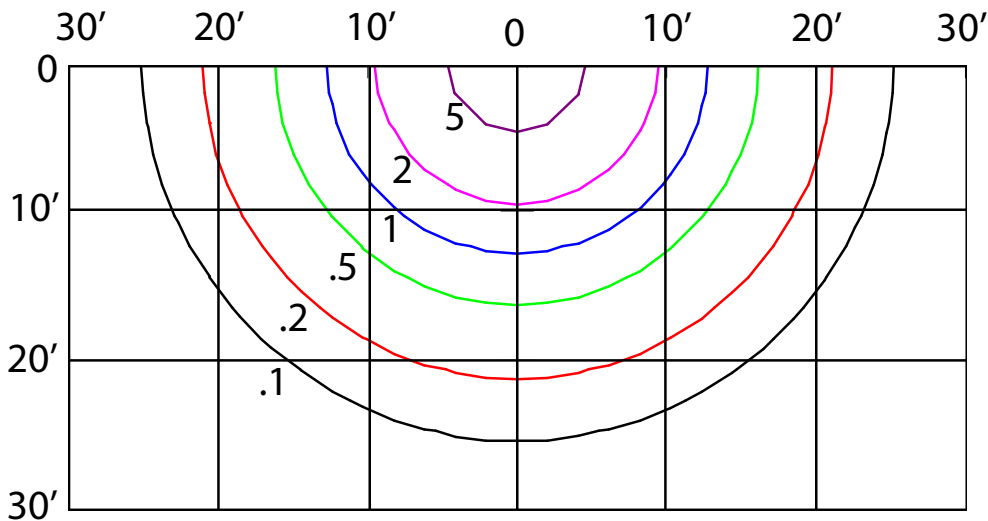


**28W, Type V - Visual Comfort**  
**2467 Lumens**  
**10' Mounting Height**

Foot-candle Correction Factor:

New Height:	10'	15'	20'
Multiply by:	1	1.5	2

## 55W VISUAL COMFORT ISO-FOOTCANDLE LAYOUT:



**55W, Type V - Visual Comfort**  
**4627 Lumens**  
**15' Mounting Height**

Foot-candle Correction Factor:

New Height:	10'	15'	20'
Multiply by:	0.67	1	1.33