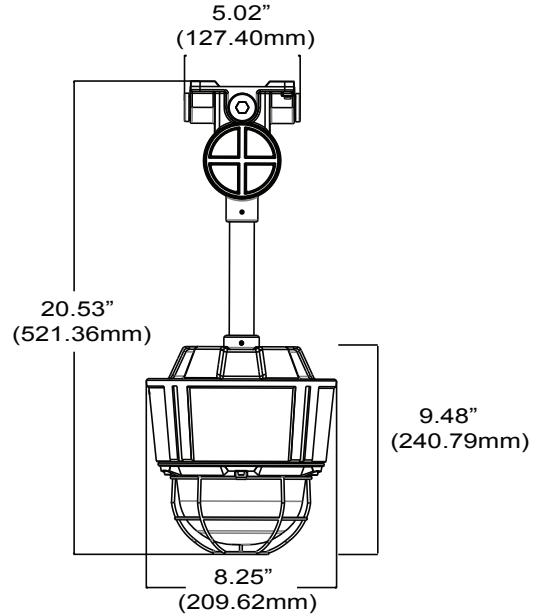


LOWBAY CLASS I DIVISION 2 | HL-LB SERIES



The explosion proof **HL-LB SERIES** provides long-lasting and reliable security illumination for **Class I Division 2** spaces where combustible dust exists, as well as other **harsh and hazardous locations**. Consuming 50 percent less energy than traditional jelly jar fixtures, the HL-LB enhances safety in areas with large amounts of foot traffic, such as walkways, doorways, scaffolding and emergency call stations.



*Product shown here with short pendant mount option

CLASSIFICATIONS & RATINGS:

- Class I, Division 2, Groups A, B, C, D
- Marine Grade

ELECTRICAL:

- 2,760 lm
- 120-277V operation standard
- Power Factor: > 0.90

FEATURES:

- Wide, 180° distribution standard

CONSTRUCTION:

- ALDC12 die cast aluminum housing
- SUS304 stainless steel wire guard
- IK07 rated tempered glass lens
- Polyester powder coat finish

MOUNTING:

- 11" Short Pendant Mount
- 20" Long Pendant Mount
- 120° Wall Mount
- Product comes standard with 3/4" NPT knockout on top
- See page 3 for ordering information and dimensions.

WARRANTY:

This product may qualify for a 10-year warranty. Contact MaxLite Inside Sales for details.

MODEL SELECTION		Typical order example: HL-LB23U-50					
HL	-	LB	23	U	-	50	
FAMILY	-	SUB FAMILY	Nominal Wattage	VOLTAGE	-	CCT	MOUNTING
HL= Hazardous Location	-	LB= LowBay	23= 23W	U= 120-277V	-	50= 5000K ¹	(OMIT)= No additional mounting SP= 11" short pendant mount LP= 20" long pendant mount WM= 120° wall mount

Notes:

1. Custom CCTs available. Please contact your MaxLite representative for lead times and quantities.

PROJECT: _____ CATALOG # _____ NOTES: _____ FIXTURE SCHEDULE: _____

LOWBAY CLASS I DIVISION 2 | HL-LB SERIES

SPECIFICATIONS:

SPECIFICATIONS:		HL-LB23
ITEM	SPECIFICATION	DETAILS
GENERAL PERFORMANCE	Input Power (W)	23W
	Lumens Delivered (lm)	2,760 lm
	Efficacy (lm/W)	120
	CRI	> 80
	Lumen Maintenance (L70, TM-21 @ 25°C)	≥100,000
	Color Temperature	5000K standard, custom CCTs available
	Spacing Criteria	Available upon request
ELECTRICAL	Power Factor	≥0.90
	Input Voltage (V)	120-277V standard
APHYSICAL	Housing	ALDC12 die cast aluminum housing
	Lens	IK07 rated tempered glass lens
	Weight	9.4lbs - 13.8 lbs (depending on mounting option)
	Humidity	10% - 90% RH, non condensing
	Operating Temperature	-40°C - 65°C (-40°F - 149°F)
	Temperature Rating	T6 (-40°C - 45°C), T4A (-40°C - 65°C)
QUALIFICATIONS	Qualifications	UL844, UL1598A, FCC, LM79, LM80, Meets DLC 4.2 Premium
	Environment	IP66
	Material Usage	RoHS compliant; no mercury
	Warranty	10 years

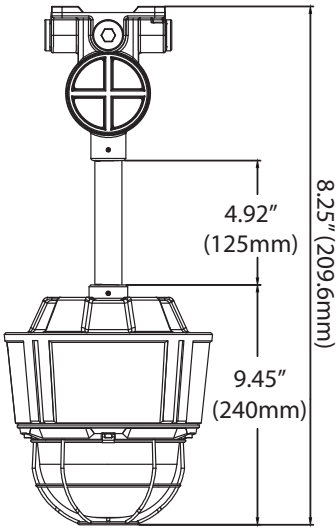
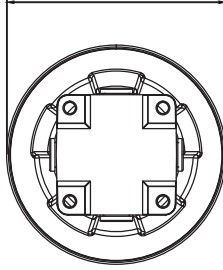
ORDERING:

ORDER CODE	MODEL	NOMINAL WATTAGE	INPUT VOLTAGE	CCT	MOUNTING
1409916	HL-LB23U-50	23W	120-277V	5000K	No Additional Mounting
1409917	HL-LB23U-50SP				11" Short Pendant
1409918	HL-LB23U-50LP				20" Long Pendant
1409919	HL-LB23U-50WM				120° Wall Mount

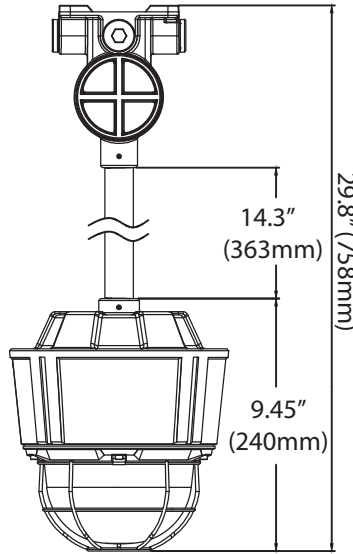
LOWBAY CLASS I DIVISION 2 | HL-LB SERIES

MOUNTING ACCESSORIES

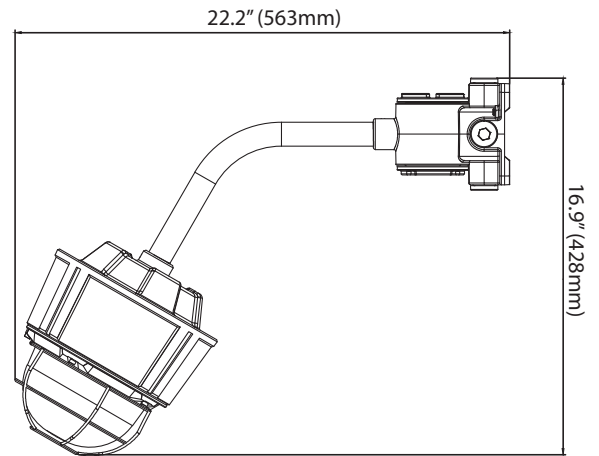
8.25" (209.6mm)



Short 11" Pendant Mount



Long 20" Pendant Mount



120° Wall Mount