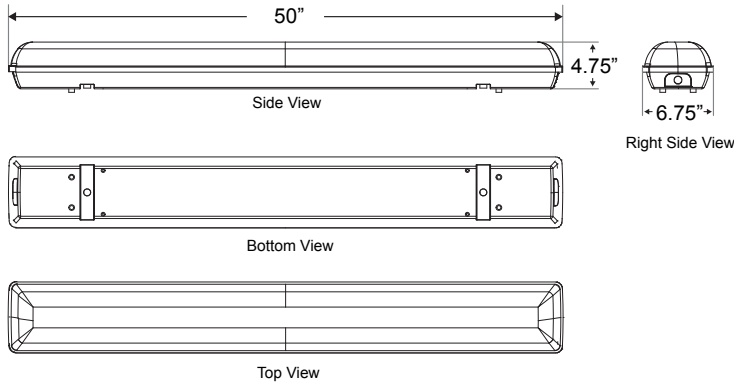


LAMP READY VAPOR TIGHT
LSV SERIES



PRODUCT DESCRIPTION:

The MaxLite Lamp Ready Vapor tight series provides Architects, Specifiers, and Buyers with a UL listed fixture engineered to operate the latest Single/Double ended LED T8 lamps supplied separately. Offering classic IP65 ratings, with spec grade Stainless steel latches, these fixtures come pre-wired for single ended operating LED lamps for contractor ready installation as new or remodel fixtures

Single/Double ended T8 internal driver lamps (4') must be purchased separately from Maxlite for this product

Both the L11.5T8DE4xx & L17T8DE4xx lamps are compatible with this fixture.

<https://www.maxlite.com/products/led-linear-t8-int-driver-double-ended-power>

FEATURES:

- Stainless Steel spec grade hasps and clips
- Lead wires are 7' for tandem wiring, eliminating back and end knockouts.
- Sockets are wired in series via non-shunted sockets
- Ceiling or wall mounted
- Surface mount brackets included

CONSTRUCTION:

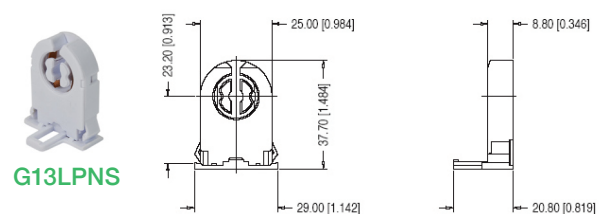
- Engineered and UL rated to take up to 22w per set of lamp holders
- Pour in place silicone seal provides hermetically sealed envelope for wet environments
- Polycarbonate White Housing and clear lens standard.
- Wiring is 18 AWG solid to allow 120-277v operation where lamp specification allows
- Sockets rated to 660w , 600V, UL Listed

WARRANTY:

- Indoor 5 year warranty on parts, materials and workmanship

ORDERING INFORMATION				
ORDER NUMBER	MODEL	WATTS (NOMINAL)	DESCRIPTION	DIMENSIONS (L" x W" x H")
74850	LSV2XT8USE4806	44W	Vapor Tight Lamp Ready 2xT8 LED 120-277v Single/Double Ended	50" x 6.2" x 3.9"
74851	LSV3XT8USE4806	66W	Vapor Tight Lamp Ready 3xT8 LED 120-277v Single/Double Ended	

ACCESSORIES		
ORDER CODE	MODEL NUMBER	DESCRIPTION
74139	MLCHKLSV15	Cable Kit 15' Loop x Loop 1 Pair
73978	G13LPNS	G13 Low Profile Non-Shunted Lamp Holder



NOTES:

1. This product is specifically engineered and listed for use with MaxLite Single/Double Ended conductor LED lamps. Maximum lamp wattages cannot exceed stated levels without voiding warranty. Cannot use with any other brand of lamps.

SPECIFICATIONS:

LSVXXT8USE4806

ITEM	SPECIFICATION	DETAILS
ELECTRICAL	Input Voltage	Max 22w per lamp
	Power Consumption	Per lamp spec
PHYSICAL	Weight	4# Empty
	Dimension	50" X 6.2" X 3.9"
	Housing	Polycarbonate, 3mm 5va, grey
	Mounting	Surface mounting bracket incl. Optional suspension kit avail.
	Operating Temperature	Per lamp spec
CERTIFICATION	Certification	UL for single ended LED lamps*
	Material Usage	RoHS compliant; no mercury
	Environment	Indoor/ Outdoor Covered – Wet IP65
	Warranty	5 Year indoor / 3 Year outdoor

* See reference diagram adjacent. Must be followed

IMPORTANT WARNING:

