

## MAXLITE "LAMP READY" UTILITY WRAP SERIES



### PRODUCT DESCRIPTION:

The MaxLite "Lamp Ready" Utility Wrap series provides Architects, Specifiers, and Buyers with a UL listed fixture engineered to operate the latest Single/Double ended LED T8 lamps supplied separately. Offering classic prismatic diffuser, with post painted finish, these fixtures come pre-wired for single ended operating LED lamps for contractor ready installation as new or remodel fixtures.

**Single/Double ended T8 internal driver lamps (4') must be purchased separately from Maxlite for this product**

Both the L11.5T8DE4xx & L17T8DE4xx lamps are compatible with this fixture.

<https://www.maxlite.com/products/led-linear-t8-int-driver-double-ended-power>

### FEATURES:

- Lead wires are 7' for tandem wiring, eliminating back and end knockouts.
- Sockets are wired in series via non-shunted sockets
- Ceiling or wall mounted
- Option "MSO" on/off occupancy sensor available
- Cable kits available for suspended use

### CONSTRUCTION:

- Engineered and UL rated to take up to 22w per set of lamp holders
- Damp & indoor rated use.
- Post fab painted housing and prismatic lens standard.
- Wiring IS 18 AWG solid to allow 120-277v operation where lamp specification allows
- Sockets rated to 660w , 600V, UL Listed

### WARRANTY:

- Indoor 5 year warranty on parts, materials and workmanship

#### ORDERING INFORMATION

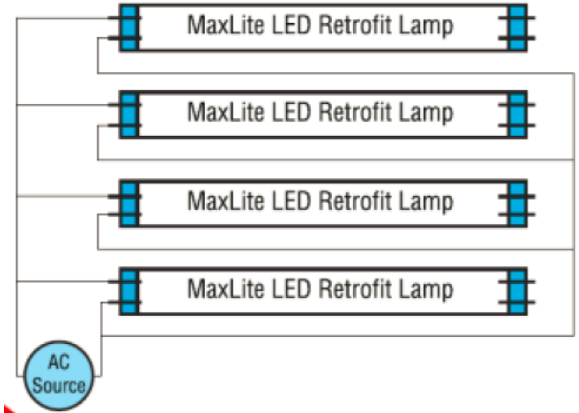
MAX WATTS	ORDER CODE	MODEL NUMBER	DESCRIPTION	DIMENSIONS (L" X W" X H")
44W	75304	LSU2XT8USE4806	UTILITY WRAP LAMP READY 2XT8 LED 120-277V SINGLE/DOUBLE ENDED	49.0" x 6.75" x 2.5"
66W	75305	LSU3XT8USE4806	UTILITY WRAP LAMP READY 3XT8 LED 120-277V SINGLE/DOUBLE ENDED	49.0" x 6.75" x 2.5"
88W	14098811	LSU4XT8USE4812	UTILITY WRAP LAMP READY 4XT8 120-277V SINGLE/DOUBLE ENDED 48L X 12W	49.0" x 12.3" x 2.8"

#### NOTES:

1. This product is specifically engineered and listed for use with MaxLite Single/Double Ended conductor LED lamps. Maximum lamp wattages cannot exceed stated levels without voiding warranty. Cannot use with any other brand of lamps.

**SPECIFICATION:**

ITEM	SPECIFICATION	DESCRIPTION
		DETAILS
ELECTRICAL	Input Voltage	MAX 22W PER LAMP
	Power Consumption	PER LAMP SPEC
PHYSICAL	Weight	<4# EMPTY
	Housing	22ga Steel, paint after fab
	Lens	PMMA acrylic Prismatic diffuser
	Mounting	Surface mounting Key holes Std. Optional suspension kit avail.
	Operating Temperature	Per lamp spec
CERTIFICATION	Certification	UL for single ended LED lamps*
	Material Usage	RoHS COMPLIANT, NO MERCURY
	Environment	Indoor/ Covered - DAMP
	Warranty	5 yr Indoor

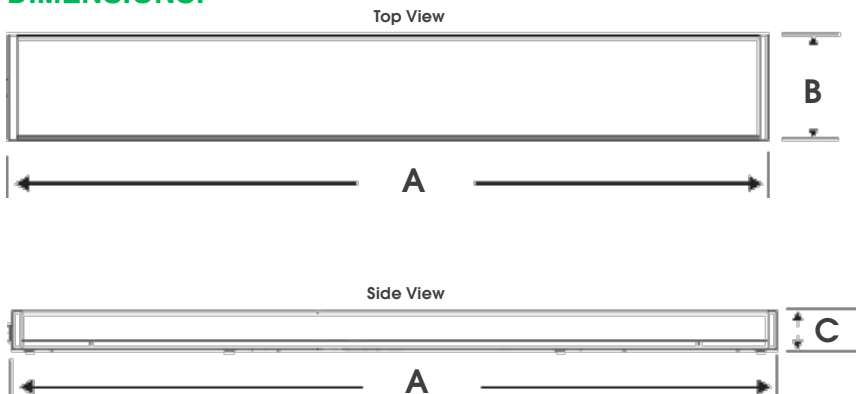


These fixtures are for use only with lamps wired per the above example. Serious risk of electrocution, or fire if non-compatible lamp is installed.

\*See reference diagram adjacent. Must be followed.

ACCESSORIES		
ORDER CODE	MODEL NUMBER	DESCRIPTION
74626	MLCHKLSULB15	UTILITY WRAP LOWBAY KIT 15' 1 PAIR - NONPOWER FEED

**DIMENSIONS:**



ITEM	LENGTH	WIDTH	HEIGHT
LSU2XT8USE4806	49.0"	6.75"	2.5"
LSU3XT8USE4806	49.0"	6.75"	2.5"
LSU4XT8USE4812	49.0"	12.3"	2.5"