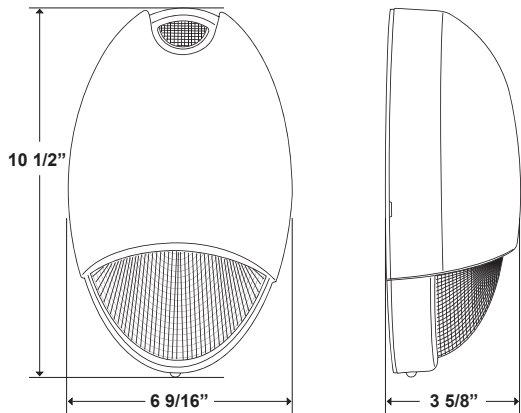


**GUARDMAX EMERGENCY WALL PACK**  
SECR SERIES



**PRODUCT DESCRIPTION:**

Maxlite's GuardMax Emergency Wall Pack provides a low profile architectural design with 90 minute emergency lighting for enhanced safety. A 120V-277V photocontrol is included standard for dusk to dawn functionality.

**FEATURES:**

- Rugged die cast aluminum housing with corrosion resistant powder coat finish
- 12W (2 LEDs x 6W)
- 1,275 lumens in AC mode, 350 lumens in battery mode
- 120V-277V AC input
- Field-selectable wiring allows AC operation to be controlled using either a wall switch, photocell or other switching mechanism
- 120V-277V photocell included standard
- Self diagnostic function included standard
- 4.8V maintenance-free NiCad battery
- 1/2" threaded conduit at the top for surface conduit applications
- Multiple operating temperature ranges: 0°C-50°C or -30°C - 50°C
- 5 Year Warranty

**CERTIFICATIONS/CODES:**

- UL924 & WL (0°C - 50°C)
- NFPA 101 Life Safety Code
- NEC
- OSHA
- CEC

**WARRANTY:**

- 5 Years

**ORDERING\*:**

ORDER CODE	MODEL	DESCRIPTION	VOLTAGE (V)	WATTAGE	CCT	FINISH*
103275	SECR12U-50BPCEM0	ROUND SECURITY WALL PACK - 12W, 120-277V, 5000K, BRONZE, PHOTOCONTROL, 0°C DEGREE BATTERY BACKUP	120V-277V	14.8W (2.8W recharge)	5000K	Bronze
103276	SECR12U-50BPCEM2	ROUND SECURITY WALL PACK - 12W, 120-277V, 5000K, BRONZE, PHOTOCONTROL, -30°C DEGREE BATTERY BACKUP	120V-277V	17W (2.8W recharge)	5000K	Bronze

\*Please contact your MaxLite representative to order products that don't have order codes listed here.

**SPECIFICATIONS:**

ITEM	SPECIFICATION	DETAILS	
		SECR12U-50BPCEM0	SECR12U-50BPCEM2
GENERAL PERFORMANCE	Lumens Delivered (lm)	1,275lm in AC Mode, 350lm in battery mode	
	Efficacy (lm/W)	86lm/W in AC mode	
	CCT	5000K	
	Color Rendering Index (CRI)	>70	
ELECTRICAL	Input Voltage (V)	120V-277V	
	Power Factor	0.30	
	Input Power (W)	14.8W (2.8W recharge)	17W (2.8W recharge, 2.2W thermal blanket)
PHYSICAL	Mounting	Mounts to recessed junction box	
	Operating Temperature	0°C - 50°C	-30°C - 50°C
	Lens	UV stabilized Polycarbonate lens	
	Housing	Die cast aluminum back plate and polycarbonate cover	
APPLICATION	Certification	UL924, NFPA 101 Life Safety Code, CEC, NEC, OSHA	
	Environment	UL WL (0°C - 50°C)	
	Warranty	5 Years	

