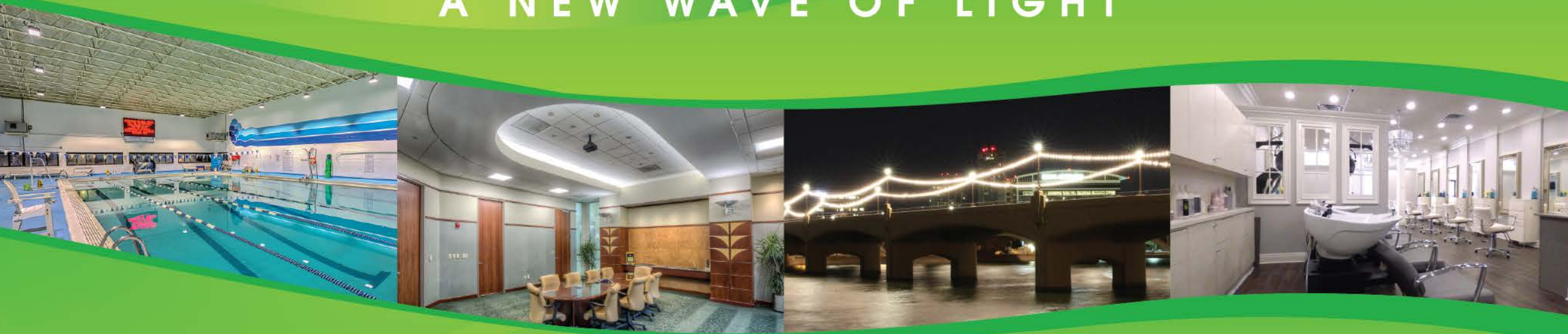


MaxLite®

A NEW WAVE OF LIGHT



**THE NEW LED HIGH BAY PENDANT & MAXLITE'S OTHER
HIGH BAY OPTIONS – DECEMBER 20, 2017**

Agenda

- New LED High Bay Pendant
- BayMAX Round Pendant
- HL Series High Bay
- ECO Series High Bay
- ModMAX High Output High Bay (High Lumen)
- StaxMAX High Bay (High Lumen)
- Social Media
- Subscribe
- Q&A



MaxLite Presents:
The new LED High Bay Pendant & more MaxLite high bay solutions



Wednesday, 12/20/17 @ 12pm EST

Engineered for maximum durability and reliability in challenging environments, the LED High Bay Pendant blends exceptional performance with premium aesthetics to suit a wide range of commercial and industrial lighting applications. Join us to learn more about this new product as well as our other High Bay product offerings!



 HL Series	 ECO Series High Bay	 BayMax Round Pendant	 ModMax High Output High Bay	 StaxMAX High Bay
---	---	--	---	--

Click Here To Register Now!

 Add this webinar to your calendar
(If prompted to OPEN or SAVE, choose OPEN)

ROUND:



BayMAX Round Pendant High Bays - MLLHP Series

Heavily Discounted!



Acrylic High Bay Pendant - HP Series



High Bay Pendant - HP Series (Gen 2)

LINEAR:



Economical High Bay - BLHE Series



High Bay Linear - HL Series

HIGH LUMEN:



ModMax High Output High Bays



StaxMAX High Bay

LED HIGH BAY PENDANT: HP SERIES GEN 2



LED High Bay Pendant HP Series (Gen 2)

The LED High Bay Pendant blends exceptional performance with premium aesthetics to suit a wide range of commercial and industrial lighting applications. Engineered for maximum durability and reliability in challenging environments, the HP pendant saves 60 percent energy vs. HID and fluorescent fixtures, and delivers 100,000 hours of lumen maintenance under the protection of MaxLite's five-year or optional 10-year limited warranty. A choice of diffused lens, polycarbonate shade with drop lens, and motion sensor options ensures optimal lumen output and enhanced safety and visibility in warehouses, gymnasiums, retail centers and manufacturing facilities.



Features:

- Provides up to 28,500 lm at 158 lm/W
- Replaces up to 600W
- Dimming 0-10V
- Indoor/Damp Rated
- 120-277V; 347V-480V





Wattage	Lumens	Equivalency
90	11,300	175W MH
130	17,300	250W MH
160	21,700	400W MH
185	25,800	600W MH

- 4000 and 5000K
- 0-10V dimming
- CRI >80
- Operates -4°F to 122°F (-20°C to 50°C)
- 5/10 year limited warranty

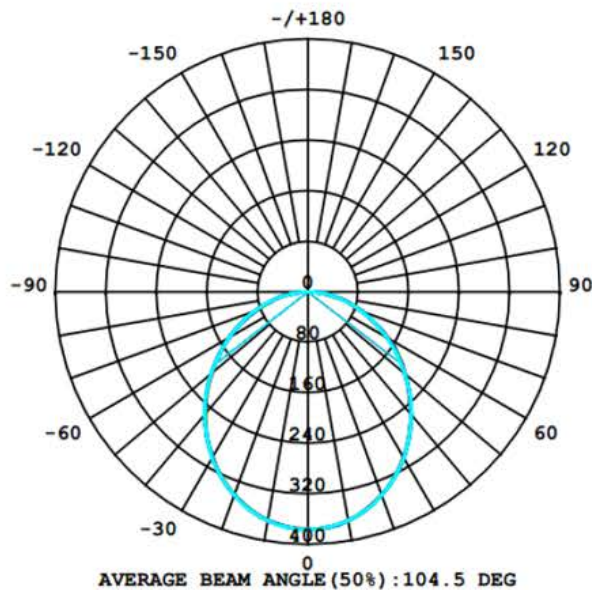
Options include:

- Battery Backup Unit
- On/Off Sensor
- Bi-Level Sensor
- Daylight Harvesting

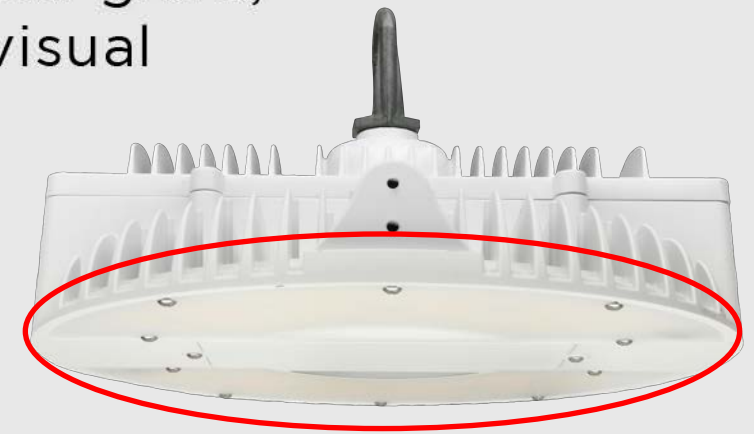
LED HIGH BAY PENDANT: HP SERIES GEN 2

CUTTING-EDGE OPTICS

LUMINOUS INTENSITY DISTRIBUTION DIAGRAM

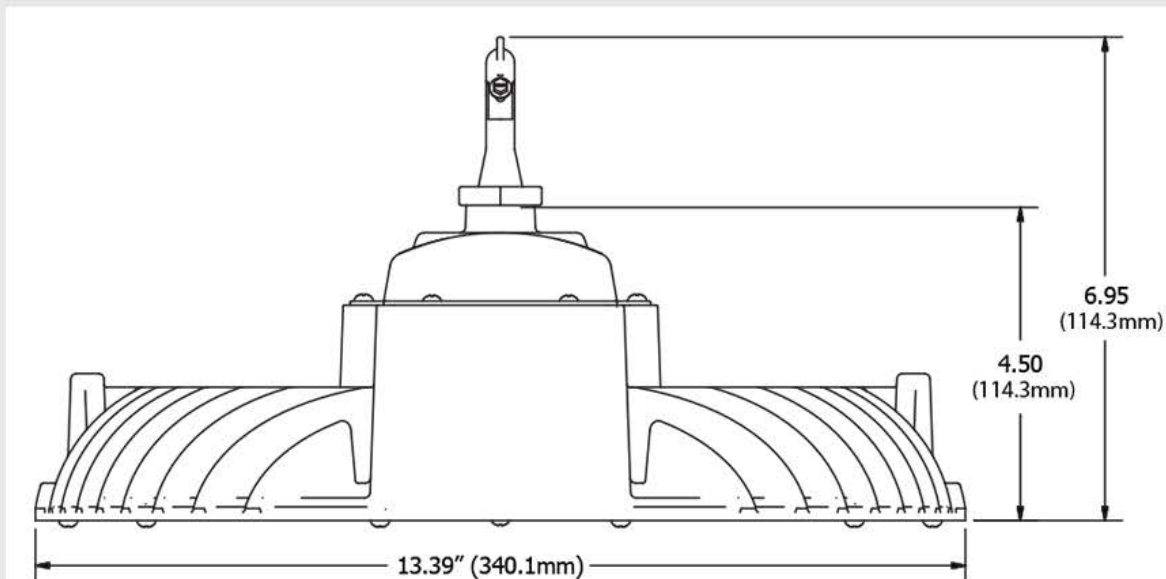


High-transmission polycarbonate diffuser delivers exceptional light output with minimal glare, enhancing safety and visual comfort.



LED HIGH BAY PENDANT: HP SERIES GEN 2

PREMIUM APPEARANCE



Slim profile measures less than five inches, for a strikingly clean and unobtrusive aesthetic.

LED HIGH BAY PENDANT: HP SERIES GEN 2

EXCEPTIONAL THERMAL MANAGEMENT



Patent-pending heat sinks deliver maximum transmissivity in high ambient temperatures up to 50 degrees Celsius.

LED HIGH BAY PENDANT: HP SERIES GEN 2



FIRST, CHOOSE YOUR WATTAGE:

90W

175W EQUIVALENCY

Up to 13,300 lm

130W

250W EQUIVALENCY

Up to 19,700 lm

160W

400W EQUIVALENCY

Up to 24,600 lm

185W

600W EQUIVALENCY

Up to 28,500 lm

LED HIGH BAY PENDANT: HP SERIES GEN 2

THEN, CHOOSE YOUR OPTIONS:

VOLTAGE



120-277V COMES STANDARD

LENSES



FROSTED LENS (Standard)



NO LENS

COLOR TEMPERATURES



5000K COMES STANDARD

SENSORS



BATTERY BACKUP



ON/OFF MOTION SENSOR



DAYLIGHT HARVESTING



BI-LEVEL MOTION SENSOR

*

* Requires MSC Remote for commissioning

CORDS AND PLUGS



120V



277V



347V



480V

LED HIGH BAY PENDANT: HP SERIES GEN 2

FINALLY, CHOOSE YOUR ACCESSORIES:

SHADES



SHADE

DROP LENS W/ CLIPS

MOUNTING



WALL MOUNT BRACKET

MODULAR WIRING



10' Modular Wiring Drop
(120V) OR (277/480V)

MSC SENSOR REMOTE



LED HIGH BAY PENDANT: HP SERIES GEN 2

10-YEAR WARRANTY - LABOR INCLUDED



MaxLite is capable of offering extensive warranties because we use the highest quality LED chips and drivers available. Our products undergo rigorous product testing and verification by our NVLAP- and UL-accredited laboratories and accredited third-party testing partners.

Products must be registered within 90 days of purchase or 30 days of installation (whichever comes first). Exclusions and limitations apply. Complete terms and conditions are available at MaxLite.com/warranties.

CERTIFICATIONS

Most MaxLite LED products are listed on the Design Lights Consortium® (DLC) Qualified Products List, making them eligible for utility rebate incentives.



FAST DELIVERY



MaxLite keeps its products in stock and available for immediate purchase and delivery on standard orders.

All accessories and additional options are considered special order. Check MaxLite for stock.

PERSONALIZED SERVICE



We work with our customers to ensure our products meet their installation goals, and remain by their sides long after. MaxLite provides a full range of complimentary services, including:

- Facility audits
- Technical support
- Lighting layouts
- Utility rebate assistance
- ROI calculations
- Lifetime product support

HIGH BAY APPLICATIONS



RETAIL & BIG BOX STORES



AUTO SHOWROOMS



GYMNASIUMS



WAREHOUSES



MANUFACTURING FACILITIES

LED HIGH BAY PENDANT: HP SERIES GEN 2

- A HP Series flyer, FAQ and brochure is also available to quickly compare the fixture's specifications against both Metal Halide and Linear High Bay fixtures.
- Visit: <http://www.maxlite.com/products/high-bay-pendant-hp-series>

Product Finder
Utility Rebates
Features/Benefits
Options/Accessories
Lighting Layout
Marketing Material
Videos

HP Series FAQ Sheet

HP Series High Bay Brochure

HP Series Sell Sheet

Round Pendant LED High Bay HP Series - Gen. 2



The LED High Bay Pendant blends exceptional performance with premium aesthetics to suit a wide range of commercial and industrial lighting applications. Engineered for maximum durability and reliability in challenging environments, the HP pendant saves 60 percent energy vs. HID and fluorescent fixtures, and delivers 100,000 hours of lumen maintenance under the protection of MaxLite's five-year limited warranty. A choice of diffused lens, polycarbonate shade with drop lens, and motion sensor options ensures optimal lumen output and enhanced safety and visibility in warehouses, gymnasiums, retail centers and manufacturing facilities.

MaxLite
A NEW WAVE OF LIGHT

Features:

- Provides up to 28,500 lm at 158 lm/W
- Replaces up to 600W
- Dimming 0-10V
- Indoor/Damp Rated
- 120-277V; 347V-480V

Specifications

MODEL NUMBER	LUMENS	EFFICACY	WATTAGE	Ø	CEC	L70	WARRANTY
HP-090U-50	13,400 lm	152 lm/W	90W	ø80	5000K	100,000 hrs	120-277V
HP-090UF-50	12,100 lm	137 lm/W	-	-	-	-	-
HP-130U-50	19,800 lm	153 lm/W	130W	ø80	5000K	100,000 hrs	120-277V
HP-130UF-50	17,900 lm	138 lm/W	-	-	-	-	-
HP-180U-50	24,600 lm	154 lm/W	180W	ø80	5000K	100,000 hrs	120-277V
HP-180UF-50	22,260 lm	140 lm/W	-	-	-	-	-
HP-185U-50	28,500 lm	158 lm/W	185W	ø80	5000K	100,000 hrs	120-277V
HP-185UF-50	25,770 lm	143 lm/W	-	-	-	-	-

Metal Halide Comparison

SPEC	HP-090U-50	175W MH	HP-130U-50	210W MH	HP-180U-50	400W MH	HP-180U-50	600W MH
LUMENS	13,400 lm	10,200 lm	19,800 lm	15,400 lm	24,600 lm	25,200 lm	28,500 lm	23,700 lm
WATTAGE	88W	175W	130W	250W	180W	400W	180W	600W
EFFICACY	152 lm/W	58 lm/W	152 lm/W	62 lm/W	134 lm/W	63 lm/W	158 lm/W	50 lm/W
L70 LUMEN MAINTENANCE	100,000+ hrs	10,000 hrs	100,000+ hrs	10,000 hrs	100,000+ hrs	30,000 hrs	100,000+ hrs	12,000 hrs
LUMEN DIFFERENTIAL	3,500 lm	-	4,400 lm	-	600 lm	-	1,280 lm	-
WATTAGE DIFFERENTIAL	87W	-	100W	-	240W	-	420W	-
% ENERGY SAVINGS	49.7%	-	48.0%	-	60.0%	-	70.0%	-
ANNUAL ENERGY COST SAVINGS*	\$49.54	-	\$68.33	-	\$136.66	-	\$239.15	-

Linear High Bay Comparison

SPEC	HP-090U-50	4-LAMP TH	HP-130U-50	6-LAMP TH	HP-180U-50	6-LAMP TH	HP-180U-50	8-LAMP TH
LUMENS	13,400 lm	16,800 lm	19,800 lm	23,840 lm	24,600 lm	21,000 lm	28,500 lm	28,000 lm
LAMP WATTAGE	-	54W	-	54W	-	54W	-	54W
# OF LAMPS	-	4	-	6	-	6	-	8
TOTAL WATTAGE	88W	216W	130W	324W	180W	324W	180W	432W
EFFICACY	152 lm/W	74 lm/W	152 lm/W	74 lm/W	134 lm/W	65 lm/W	158 lm/W	65 lm/W
L70 LUMEN MAINTENANCE	100,000+ hrs	24,000 hrs	100,000+ hrs	24,000 hrs	100,000+ hrs	36,000 hrs	100,000+ hrs	36,000 hrs
LUMEN DIFFERENTIAL	2,860 lm	-	4,140 lm	-	3,600 lm	-	500 lm	-
WATTAGE DIFFERENTIAL	128W	-	194W	-	164W	-	252W	-
% ENERGY SAVINGS	59.26%	-	59.88%	-	50.62%	-	58.33%	-
ANNUAL ENERGY COST SAVINGS*	\$71.88	-	\$10.48	-	\$93.58	-	\$143.49	-

*operated for 12 hours/day at \$0.13/kwh for 365 days/year

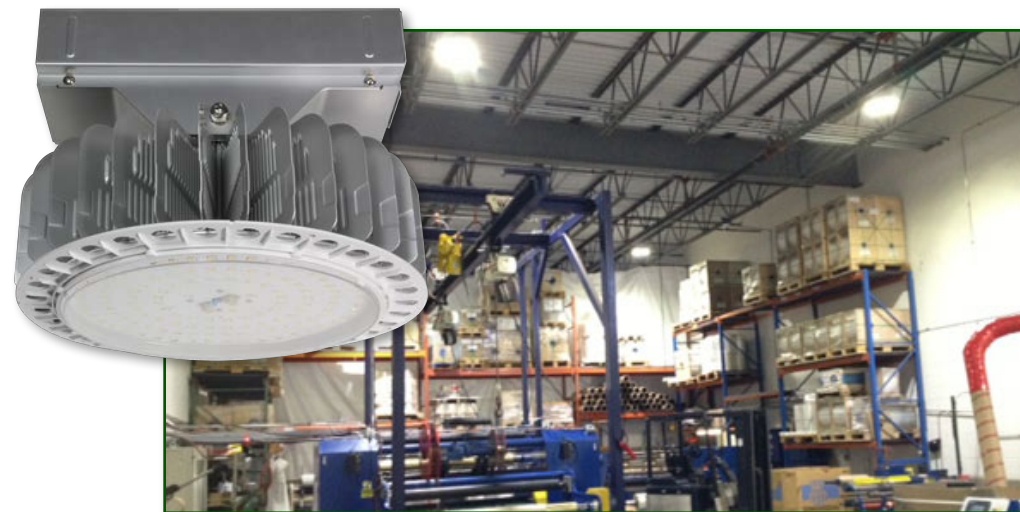
MaxLite: 1-800-555-5629 | Fax: 973-244-7333 | Web: www.maxlite.com | E-mail: info@maxlite.com

BAYMAX ROUND PENDANT – MLLHP SERIES

- **Overview:**

- MaxLED Round Pendant High Bays are designed for 25-foot and higher ceiling applications in warehouses, manufacturing plants, large retail centers, gymnasiums, houses of worship and other facilities that require significant mounting heights. A crisp, bright replacement for 400W high intensity discharge (HID) fixtures, they distribute a wide, uniform light that enhances safety and productivity.

Offered in narrow and wide beam distributions, and delivering up to 16,640 lumens, the fixtures are constructed with an enclosed power supply housing and covered optics that ensure durability in difficult installation locations. New models are dimmable down to 10 percent on 0-10V systems with two-wire control.



• BayMAX Round Pendant (MLLHP Series) Features:

- Full polycarbonate lens cover
- Annular polished optic collimator for 70 degree beam angle at narrow models
- Radial aluminum heat sink fins
- Enclosed wiring and driver compartment
- Slide out driver tray service feature enables the fixture to remain hanging
- Standard hook attachment provided
- Indoor/damp rated

Wattage	Lumens	Equivalency
85	11,900	200W MH
140	20,490	400W MH

A NEW WAVE OF LIGHT

PROJECT NAME: _____ CATALOG NUMBER: _____

NOTES: _____ FIXTURE SCHEDULE: _____

Page: 1 of 2

LED PENDANT Highbay MLLHP SERIES

Narrow Model

Wide Model

Side View

11.02" (280mm)
11.61" (295mm)

10.92" (278.2mm)
10.31" (262mm)

PRODUCT DESCRIPTION:
The MaxLED HighBay LED fixtures are designed for 25-foot and higher ceiling applications in warehouses, gymnasiums, general manufacturing and general task areas. With an enclosed power supply housing and covered optics, these units are designed for durability in difficult installation locations.

FEATURES:

- Full polycarbonate lens cover
- Annular polished optic collimator for 70 degree beam angle at Narrow models
- Radial aluminum heat sink fins
- Enclosed wiring and driver compartment
- Slide out driver tray service feature enables the fixture to remain hanging
- Standard hook attachment provided
- Indoor/Damp rated

CONSTRUCTION:

- Aluminum housing
- Aluminum heat sink finning
- Polycarbonate lens
- Aluminum LED light engine
- Full paint after fabrication

CONTROL:

- 0-10V Dimming
- Two Wire Control

MODEL SELECTION (Full list of order codes on pg. 2) Typical order example: MLLHP085US312/W

MLLHP					
FAMILY	WATTAGE (NOMINAL)	VOLTAGE & SIZE	MOUNTING	DISTRIBUTION	OPTIONS
MLLHP= LED Pendant HighBay Series	085= 85W 140= 140W	USD12= 120-277V & 12" diameter UHS012= 347-480V & 12" diameter	(OMIT)= Hook B= Angle Bracket* S= Monopoint Stem	N= Narrow W= Wide D= Diffused	(OMIT)= None EM= Battery Backup Unit MSO= Motion Sensor (On/Off) MSV= Motion Sensor (Bi-Level)

NOTES:
1. Angle Bracket mount is not DLC qualified
2. 85W is not DLC qualified

ACCESSORIES			
ORDER CODE	MODEL NUMBER	DESCRIPTION	PRODUCT IMAGE
77496	MLLHPWG12W	Wire Guard, White 12" DIA	
77497	MLLHPSLPRKKT	Slope Ceiling Adaptor Bracket	N/A
76503	MLRSKHBP36X1/2W	Stem Kit Highbay Pendant Monopoint 36in x 1/2 IPS White	N/A
1409203	MLLHP-SHADE17	Shade for MLLHP, 17" Bottom Diameter	

MAX14142
Revised: 11-17-17

Phone: 1-800-555-5629 | Fax: 973-244-7333 | Web: www.maxlite.com | E-mail: info@maxlite.com

HL SERIES HIGH BAY

- **Overview:**

- The LED Highbay Linear Series offers leading-edge efficacy and scalability for high ceiling applications such as warehouses, distribution centers, manufacturing facilities and big box retailers. Measuring just 14" x 24", the LED luminaires deliver the high lumen output associated with traditional fluorescent and HID highbays in a form factor one-quarter the size.



• HL Series High Bay Features:

- Wide lens distribution
- Operating temperature -34°C to 50°C (-30°F to 122°F)
- Suitable for Damp locations
- L70 lifetimes projected to be 100,000 hours
- 347-480V option available
- Translucent lens offered for diffuse light
- Wire guard available for additional protection
- 0-10V Dimming standard
- 100W equivalent to 250W fluorescent high bay and 150W & 200W equivalent to 400W HID fixture
- 7 year limited warranty (10 year limited warranty available, contact Maxlite for more info.)

Wattage	Lumens	Equivalency
100	13,400	250W Fluorescent
150	19,500	400W HID
200	25,000	400W HID

A NEW WAVE OF LIGHT

PROJECT NAME: _____ CATALOG NUMBER: _____

NOTES: _____ FIXTURE SCHEDULE: _____

Page: 1 of 7

LED HIGH BAY LINEAR
HL SERIES

PRODUCT DESCRIPTION:
The LED Linear Highbay Series offers leading-edge efficacy and scalability for high ceiling applications such as warehouses, distribution centers, manufacturing facilities and big box retailers. Measuring just 14" x 24," the LED luminaires deliver the high lumen output associated with traditional fluorescent and HID highbays in a form factor one-quarter the size.

The Linear Highbay Series can be configured with wide beam distributions, and emergency controls, for optimal lumen output and energy savings. Choose from cable, pendant and surface mounting options to create a custom solution that meets any lighting requirement.

FEATURES:

- Wide lens distribution
- Operating temperature -34°C to 50°C (-30°F to 122°F)
- Suitable for Damp locations
- L70 lifetimes projected to be 100,000 hours
- 347-480V option available
- Translucent lens offered for diffuse light
- Wire guard available for additional protection
- 0-10V Dimming standard
- 100W equivalent to 250W fluorescent high bay and 150W & 200W equivalent to 400W HID fixture
- 7 year limited warranty (10 year limited warranty available, contact Maxlite for more info.)

Dimensions

Product	A	B	C
100W	24.06"	13.69"	2.73"
150W	24.06"	13.69"	4.23"
200W	24.06"	13.69"	4.23"

MODEL SELECTION Typical order example: HL-150UW-50EM

HL	W	W	W	W	W	W	W	W	
FAMILY	WATTAGE	VOLTAGE	BEAM SPREAD	CCT	OPTIONS				
HL= High Bay Linear	100= 100W 150= 150W 200= 200W	U= 120-277V H= 347-480V ¹	W= Wide 40= 4000K 50= 5000K		OMIT= None *EM= Battery Backup Unit	OMIT= None MSO= On/Off Sensor MSV= Bi-Level Sensor MSC= CA T24 Sensor	OMIT= None TS= Translucent Lens		

NOTES:
1. 347-480V 4000K product is not DLC qualified
2. Emergency battery back up only available in Dual voltage (120V or 277V)
3. 4000K DLC Standard, 5000K DLC Premium.

MAX16014
Phone: 1-800-555-5629 | Fax: 973-244-7333 | Web: www.maxlite.com | E-mail: info@maxlite.com Revised: 11-30-17

ECONOMICAL HIGH BAY – BLHE SERIES

- **Overview:**

- The Economic High Bay Series is a cost-effective and quality solution for lighting warehouses, distribution centers, manufacturing facilities, big box retailers, and other industrial applications. A non-dimmable and compact product, it delivers a high lumen output to replace both traditional fluorescent and HID high bay fixtures. Cable, pendant and surface mounting options enable the high bay to be customized to meet virtually any lighting requirement.



• Economical High Bay (BLHE Series) Features:

- Available in 5000K only
- Dimmable product (135W dimming model now available)
- Operating temperature -20°C to 50°C (-4°F to 122°F)
- Suitable for Damp locations
- L70 lumen maintenance of 50,000 hours
- Translucent lens standard to minimize glare
- V hook & chain mount standard, included additional mounting options available
- Motion Sensor optional
- Field installable Iota battery backup compatible with all models
- 5 year limited warranty
- DLC Premium Listed

Wattage	Lumens	Dimming	Equivalency
90	12,000	Yes	4-lamp T5HO
135	17,400	Yes	6-lamp T5HO
162	20,900	Yes	6+-lamp T5HO

A NEW WAVE OF LIGHT

PROJECT NAME: _____ CATALOG NUMBER: _____

NOTES: _____ FIXTURE SCHEDULE: _____

Page: 1 of 4

LED HIGH BAY LINEAR
ECO SERIES

PRODUCT DESCRIPTION:
The Eco High Bay Series is a cost-effective and quality solution for lighting warehouses, distribution centers, manufacturing facilities, big box retailers, and other industrial applications. A dimmable and compact product made of galvanized steel housing and white electrostatic powder coat finish, it delivers a high lumen output to replace both 4 or 6 lamp T5HO fluorescent highbay or 400W HID highbay fixtures. Cable, pendant and surface mounting options enable the highbay to be customized to meet virtually any lighting requirement.

FEATURES:

- Dimmable product
- Operating temperature -20°C to 50°C (-4°F to 122°F)
- Suitable for Damp locations
- L70 lumen maintenance of 50,000 hours
- Translucent lens standard to minimize glare
- V hook and chain mount standard, included additional mounting options available
- Field installable battery backup unit
- 5 year limited warranty

DIMENSIONS

PRODUCT	A	B	C
BLHE-090DU50	23.8"	12.6"	3.62"
BLHE-090DU50MS	29.3"	12.6"	3.62"
BLHE-135DU50	23.8"	17.3"	3.62"
BLHE-135DU50MS	29.3"	17.3"	3.62"
BLHE-162DU50	23.8"	17.3"	3.62"
BLHE-162DU50MS	29.3"	17.3"	3.62"

MODEL SELECTION (Full list of order codes on pg. 2) Typical order example: BLHE090DU50

BLHE	D	U	50	OPTIONS	
FAMILY	WATTAGE (NOMINAL)	DIMMING	VOLTAGE	CCT	
BLHE= ECO Linear High Bay	090= 90W 135= 135W 162= 162W	D= Dimming	U= 120-277V	50= 5000K	(OMIT)= None MS= Bi-Level Sensor

Phone: 1-800-555-5629 | Fax: 973-244-7333 | Web: www.maxlite.com | E-mail: info@maxlite.com

MAX17082 Revised: 11-30-17

MODMAX HIGH OUTPUT HIGH BAYS

- **Overview:**

- ModMax is a highly flexible, modular flood and sports lighting solution designed to replace metal halide fixtures from 400W - 1500W. ModMax is specifiable in two-row, 105W modules, with up to six modules configurable in a single luminaire. Each row of modules is customizable with one of three available optical distributions: narrow, medium or wide. Double pivot heads allow each row, and the luminaire's carriage, to be independently aimed for precise lighting aim. ModMax is available in arch yoke and highbay mounting options.



- **Case Studies**

- <http://www.maxlite.com/resources/CaseStudyGraphics/MaxLite.cs.FondduLac.pdf>



• ModMAX High Output High Bays Features:

- Discrete modules allow for precision aiming
- Available with 3 possible beam distributions
- Double pivot aiming where each row of modules, and the luminaire's carriage can also be independently aimed
- CRI: ≥ 70
- Operating Temperature: -22°F to 122°F
- L70 lifetime $>100,000$ hours

Wattage	Lumens	Equivalency
210	20,200	400W MH equivalent
420	38,475	1000W MH equivalent
630	62,260	1500W MH equivalent

A NEW WAVE OF LIGHT

PROJECT NAME: _____ CATALOG NUMBER: _____

NOTES: _____ FIXTURE SCHEDULE: _____

Page: 1 of 5

ModMax High Output Flood

MM SERIES

210W FLOOD

420W FLOOD

420W HIGH BAY

630W FLOOD

PRODUCT DESCRIPTION:
ModMax is a highly flexible, modular flood and sports lighting solution designed to replace metal halide fixtures from 400W - 1500W. ModMax is specifiable in two-row, 105W modules, with up to six modules configurable in a single luminaire. Each row of modules is customizable with one of three available optical distributions: narrow, medium or wide. Double pivot heads allow each row, and the luminaire's carriage, to be independently aimed for precise lighting aim. ModMax is available in arch yoke and highbay mounting options.

FEATURES:

- Discrete modules allow for precision aiming
- Available with 3 possible beam distributions
- Double pivot aiming where each row of modules, and the luminaire's carriage can also be independently aimed
- CRI: ≥ 85
- Operating Temperature: -22°F to 122°F
- L70 lifetime $>100,000$ hours

CONSTRUCTION:

- Steel carriage for high bay and arch yoke mounts
- Independent aluminum heatsinking for each module
- Polyester TGIC powder coat finish

MOUNTING:

- High Bay: suitable for 3/4" NPS mono-stem mount (Dimensions available on page 3)
- Arch Yoke: suitable for surface mounting (Dimensions available on page 4)
- Pole Mount: 2-3/8" fixed slitter suitable for pole mounting applications.

DIMENSIONS: See page 3 for dimensions

MODEL SELECTION		Typical order example: MM420UWV50FDG				
MM				50	DG	
FAMILY	NOMINAL WATTAGE, EQUIVALENCY	VOLTAGE	DISTRIBUTION	CCT	MOUNTING BRACKET	FINISH
MM= ModMax	*210 = 210W, 400W MH equivalent *420 = 420W, 1000W MH equivalent *630 = 630W, 1500W MH equivalent	Us= 120-277V Hs= 347-480V	Ws= 57" Wide Ww= 57" Wide	50= 5000K	Fs= Arch Yoke Hs= Highbay Ps= Pole Mount (2-3/8" Tennon)	DG= Dark Gray (Std)

NOTES:
 *210W and 420W models do not qualify for DLC
 **29" and 45" options available. Please contact your MaxLite representative for lead times and quantities.

Phone: 1-800-555-5629 | Fax: 973-244-7333 | Web: www.maxlite.com | E-mail: info@maxlite.com

MAX16032 Revised: 10-18-17

STAXMAX HIGH BAYS

- **Overview:**

- StaxMAX is a unique and flexible lighting system that allows consumers to create custom distribution packages by mixing modules on a single fixture. Designed with three optical distributions and independently pivoting modules, the StaxMAX can be specified in one-, two- or three- 180-watt modules. Each of the three modules can have a narrow, medium or wide beam angle, allowing users to have all three optics in one luminaire. In total, the StaxMAX is capable of replacing metal halide fixtures rated up to 1000W. The fixture is available for mounting as a high bay, flood or roadway fixture.



- **Case Studies**

- <http://www.maxlite.com/resources/CaseStudyGraphics/MaxLite.cs.TeninoHS.pdf>
- http://www.maxlite.com/resources/CaseStudyGraphics/MaxLite_McGolf.CS.101013.pdf



StaxMAX High Output High Bays Features:

- Modular housing design – up to three modules can be combined
- 22-, 55- and 120-degree open beam for various types of applications
- Discreet J-Box on each frame enables easy field install
- > 60,000 hour life (L70)
- IP66-rated
- 4Kv driver integral surge protection standard; 20KV surge protection available
- Heaviest configuration conforms to ANSI C136.31 3G vibration rating standards
- Suitable for natatorium environment
- 5 year limited warranty

Wattage	Lumens	Equivalency
180	Up to 18,970	400W MH equivalent
360	Up to 37,940	750W MH equivalent
540	Up to 56,910	1000W MH equivalent

PROJECT NAME: _____ CATALOG NUMBER: _____

NOTES: _____ FIXTURE SCHEDULE: _____

Page: 1 of 5

HIGH-OUTPUT LED FLOOD LIGHTS AND HIGHBAYS

StaxMAX™ Series

HBMB bracket

AYMB bracket

OPTIONAL ADJUSTABLE BRACKET
Option E shown

Dimensional Drawings on page 4

PRODUCT DESCRIPTION:

Ideal for car dealerships, sports parks, golf driving ranges, facades, general area and high bay applications, the StaxMAX™ is a unique and flexible system, comprised of self-contained modular elements, allowing variability in both lumen output and light distributions. The StaxMAX™ can be specified in one-, two- or three- triple 180 watt module configuration where each module can have one or three available optical distributions. In total, the StaxMAX™ is capable of replacing up to 1000W metal halide fixtures.

FEATURES:

- Modular housing design – up to three modules can be combined
- 22-, 55- and 120-degree open beam for various types of applications
- IP66-rated
- Discreet J-Box on each frame enables easy field install
- Standard 0-10V dimming available on 120-277V models; 347-480V non-dimming models available
- > 60,000 hour life (L70)
- Multiple circuits on each module guard against full module light outage
- 4Kv driver integral surge protection standard; 20KV surge protection available
- Heaviest configuration conforms to ANSI C136.31 3G vibration rating standards
- 5 year limited warranty
- Suitable for natatorium environment

MOUNTING:

- High Bay (HBMB): Dimensions available on page 5
- Arch Yoke (AYMB): suitable for surface mounting (Dimensions available on pages 4-5)
- Pole Tension (PTMB): suitable for tension mounting when combined with HBMB. Accommodates tensions with maximum O.D. of Ø3.2", and minimal length of 5.5'

MODEL SELECTION (Full list of order codes on pg. 3) Typical order example: ELLF180DW50

FAMILY	POWER, EQUIVALENCY	VOLTAGE	DISTRIBUTION	50	CCT	MOUNTING BRACKET	COLOR	OPTIONS
ELLF _a High Output Flood	180 _a 180W, 400W MH equivalent 360 _a 360W, 750W PSMH equivalent 540 _a 540W, 1000W MH equivalent	D _a 120-277V, 0-10V dimmable 4 _a 347-480V	N _a Narrow 22" M _a Medium 55" W _a Wide 120" *C _a Custom	50 _a 5000K	(OMIT) _a	Arch Yoke High Bay	Gray, RAL 7045 (600) Black	None (See table)

OPTIONS

E Adjustable Bracket, Photocell, 20KV Surge Suppressor, 3 ft. - 14 AWG whip - 3 conductor (Black/White/Green)

* Special order item. Please contact MaxLite representative for quantities and lead times.

Phone: 1-800-555-5629 | Fax: 973-244-7333 | Web: www.maxlite.com | E-mail: info@maxlite.com MAX14078 Revised: 08-14-17

© 2017 MaxLite®. All Rights Reserved.

MAXLITE ON SOCIAL MEDIA

Follow & Share MaxLite On Social Media

- LinkedIn
- Facebook
- Twitter
- YouTube



STAY UPDATED – SUBSCRIBE!

Stay updated and subscribe to:

- MaxLite Minute Newsletter
- Product Announcements
- Press Releases
- Webinars

Click the “Subscribe To MaxLite” Button at the bottom of MaxLite’s website or visit:

<http://www.maxlite.com/subscribe>

The screenshot shows the MaxLite website header with the slogan "A NEW WAVE OF LIGHT" and navigation links: About MaxLite, Products, Applications, Where to Buy, News, Utility Rebates, Partners, Resources, and Customer Support. Social media icons for Facebook, Twitter, YouTube, and LinkedIn are in the top right. The main content area features a "Subscribe:" heading and four checked options: MaxLite Minute Newsletter, Product Announcements, Press Releases, and Webinars. Below these are input fields for "COMPANY NAME (OPTIONAL)", "NAME", and "EMAIL", followed by a "Submit" button.



THANKS FOR ATTENDING!

QUESTIONS/ANSWERS

Thank you everyone for your attention! Please feel free to use this opportunity to ask any questions you may have about MaxLite or the products shown in this presentation.

FOR MORE INFORMATION ABOUT OTHER MAXLITE PRODUCTS, OR FOR LIGHTING QUESTIONS IN GENERAL; PLEASE CONTACT:

info@maxlite.com

<http://www.maxlite.com>

1-800-555-5629