



WELCOME

LED TROFFER & LUMINAIRE RETROFITS

8/28/14 Webinar

Presented by: Greg Murphy



MAXLITE PRESENTS: LED TROFFER & LUMINAIRE RETROFITS

Topics:

- MaxLite's RKT & RKL Retrofit Kits (Overview)
- RKT
 - Features & Benefits
 - Applications
 - Installation
- RKL
 - Features & Benefits
 - Applications
 - Patents
 - 0-1-10V Simple Dimming Driver
- MaxLite Thermal Dot
- IR Remote Kit
 - Wiring
- MaxLite Services
- Q&A



MAXLITE PRESENTS: LED TROFFER AND LUMINAIRE RETROFITS

MaxLite the leading manufacture of LED lay-in troffer panels is proud to announce the new upgraded LED Troffer and Luminaire retrofits. With four configurations, three Kelvin temperature's various wattages we have the right LED Troffer or Luminaire retrofit for your next project. Join us to hear about the latest features, benefits and certifications such as a wireless dimming option and DLC certification.



JOIN US TO LEARN MORE!



Thurs, August 28 at 12pm EST
To register click the "REGISTER NOW" button below



Follow us on:



Add webinar to your Calendar (If prompted to OPEN or SAVE, choose OPEN)

LED Retrofit Kits Overview

LED Recessed Troffer Retrofit Kits



Overview:

MaxLite's one-piece LED RKT Series Recessed Troffer Retrofit Kit is an economical, easy-to-install upgrade to LED lighting in existing recessed troffers, which avoids removal of existing fixtures and associated asbestos abatement (See [Installation Video](#)). Available in diverse color temperatures and lumen outputs in standard sizes, the Kit uses thermal dot technology for temperature and warranty control.

Validations & Accolades:



The lightweight, eight-pound RKT Kit replaces traditional fluorescent troffers in lay-in or T-grid ceilings in a variety of commercial and institutional applications, including offices, lobbies, hallways and conference rooms in schools, municipalities, libraries, airports, healthcare facilities, showrooms, corporate campuses, retailers and hospitality environments.



LED RKL Retrofit Kit Strips



Overview:

MaxLite's LED RKL Retrofit Kit Strips are economy level LED replacements for 2'x2' and 2'x4' existing recessed troffers in drop-in ceilings. The Strips can be easily field installed using simple hand tools with minimum modification to the existing housing, avoiding the removal of existing fixtures and associated asbestos abatement.

The LED RKL Retrofit Kit Strips replace traditional fluorescent troffers in lay-in or T-grid ceilings in a variety of commercial and institutional applications, including offices, lobbies, hallways and conference rooms in schools, municipalities, libraries, airports, healthcare facilities, showrooms, corporate campuses, retailers and hospitality environments.



RKT – Recessed Troffer Retrofit Kits



PROJECT NAME: _____ CATALOG NUMBER: _____
 NOTES: _____ FIXTURE SCHEDULE: _____

Page: 1 of 2

RKT - Recessed Troffer Retrofit Kits RKT SERIES



PRODUCT DESCRIPTION:

MaxLite's troffer retrofits offer service professionals an economical solution to safely upgrade fluorescent luminaires to include an LED light source. The installation process is quick and easy and does not require the installer to remove the existing fixture.

FEATURES:

- Pre-punched holes for easy handling
- Includes Thermal Dot indicators to quickly validate application suitability
- Custom CCTs available upon request, please contact your MaxLite sales representative for quotations
- LM-80 chip yields over 103,000 hour L70 lifetime using TM-21 extrapolation

CONSTRUCTION:

- Galvanized steel body
- Reflective finish improves retrofit efficacy
- Integrated tunnel cover houses driver and will enclose most existing linear fluorescent ballasts
- 'S' hook supplied for temporary hanging during installation

CONTROL:

- RKT Troffer Retrofit Kits are supplied with a 0-1-10v simple dimming driver Compatible with standard 0-10v dimming controls
- Simple dimming driver is supplied with an auxiliary output wire (yellow wire) which can be used with MaxLite's MLFPIRK wireless remote dimming kit.

| MODEL SELECTION (Full list of order codes on pg. 2) | | | | | | |
|---|--------------------|---------------|---------------|------------------------------|-------------------------------------|--------------------|
| RKT | 14 | | U | | DV | |
| FAMILY | NOMINAL LENGTH | NOMINAL WIDTH | INPUT VOLTAGE | INPUT WATTAGE | CCT | DIMMABILITY |
| RKT LED Troffer Retrofit Kit | 20w 20" 45w 45" | 14w 14" | Us 120-277V | 40w 40 watts 45w 45 watts | 35w 3500K 41w 4100K 50w 5000K | DVw 0-10V Dimmable |

| ACCESSORIES | | | |
|-------------|--------------|---------------------------|--|
| ORDER CODE | MODEL NUMBER | DESCRIPTION | |
| 71583 | MLFPIRK | Infrared Remote Control | |
| 70691 | MLFFRWP | Remote Control Wall Plate | |

Add MaxLite's Infrared Remote Control to maximize efficiency without increasing labor costs. The IR remote control offers continuous dimming down to 10% and can even shut the retrofit off entirely, without requiring any additional wiring from the switch to the existing fixtures. Add the MLFFRWP wall plate to holster the remote control.



RKT - Recessed Troffer Retrofit Kits RKT SERIES

Page: 2 of 2

SPECIFICATIONS:

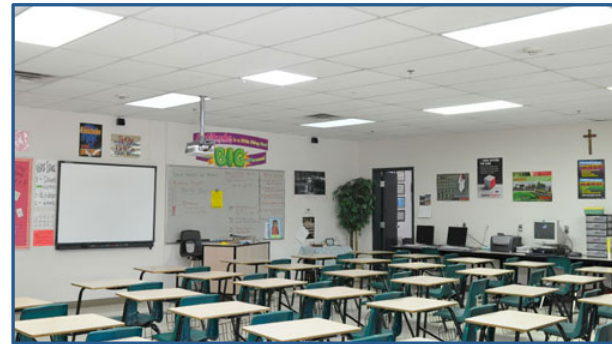
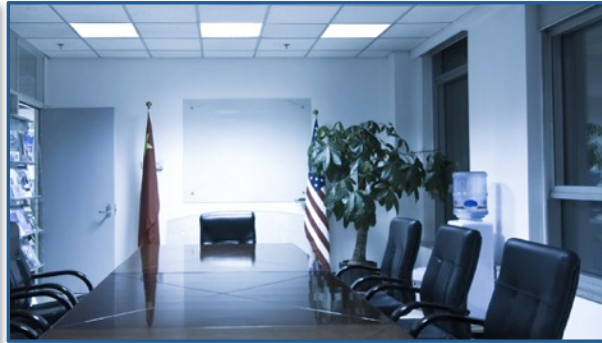
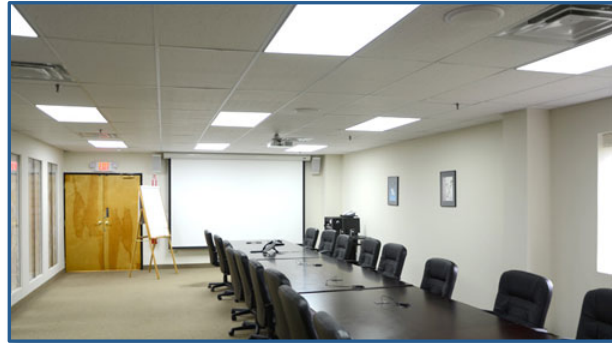
| ITEM | SPECIFICATION | RKT2014U4035DV | RKT2014U4041DV | RKT2014U4050DV | RKT4514U4535DV | RKT4514U4541DV | RKT4514U4550DV |
|---------------------|-------------------------|--|----------------|----------------|---------------------------|----------------|----------------|
| | | DETAILS | | | | | |
| GENERAL PERFORMANCE | Color Temperature (CCT) | 3500K | 4100K | 5000K | 3500K | 4100K | 5000K |
| | Lumens Delivered | 3,630 | 3,580 | 3,935 | 4,275 | 4,275 | 4,500 |
| | Efficacy | 91 lm/w | 90 lm/w | 96 lm/w | 95 lm/w | 95 lm/w | 100 lm/w |
| | Lumen Maintenance (L70) | 103,000 hours | | | | | |
| ELECTRICAL | Power Consumption | 40W | | | 45W | | |
| | Power Factor | > 90% | | | | | |
| | Input Voltage | 120V-277V | | | | | |
| PHYSICAL | Dimensions | 20.75" x 13.75" | | | 43.75" x 13.75" | | |
| | Weight | 2.85 lb | | | 5.25 lbs | | |
| | Mounting | Self tapping hex head (4) | | | Self tapping hex head (6) | | |
| | Ambient Temperature | 0-104F | | | | | |
| | Certification | cETLus, DLC, FCC, LM-80 | | | | | |
| CERTIFICATION | Material Usage | RoHS compliant; no mercury | | | | | |
| | Environment | Indoor | | | | | |
| | Warranty | 5 year when installed in accordance with factory supplied instruction manual | | | | | |

ORDERING:

| ORDER CODE | MODEL | WATTS | SIZE | INPUT VOLTAGE | COLOR TEMPERATURE (CCT) |
|------------|----------------|-------|-------|---------------|-------------------------|
| 72683 | RKT2014U4035DV | 40 | 2 X 2 | 120-277V | 3500K |
| 72684 | RKT2014U4041DV | | | | 4100K |
| 72685 | RKT2014U4050DV | | | | 5000K |
| 72937 | RKT4514U4535DV | 45 | 2 X 4 | 120-277V | 3500K |
| 72938 | RKT4514U4541DV | | | | 4100K |
| 72939 | RKT4514U4550DV | | | | 5000K |

Lighting layouts and spacing criteria available upon request
 Please contact your MaxLite representative to order products that don't have order codes listed here.

LED RKT APPLICATIONS



RKT Installation Video:



Available on MaxLite's [YouTube Channel](#) or by visiting:
<http://www.tinyurl.com/RKTinstall>

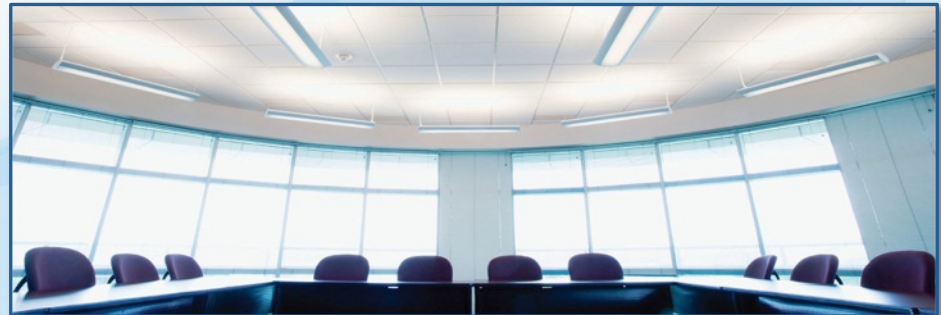
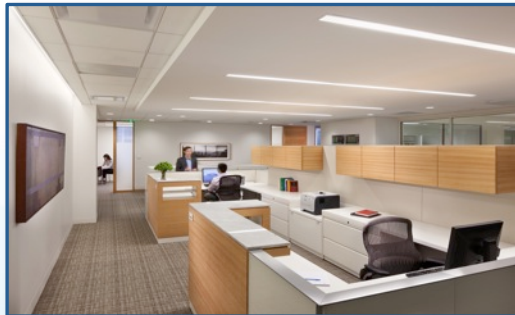
RKL – Retrofit Kit Strips

- RKL's available in 2' and 4' nominal lengths.
- Can be used to replace T8 and T12 linear fluorescents plus other unique applications.
- 0-1-10v dimming standard on 40w 2x2 and 45w 2x4.

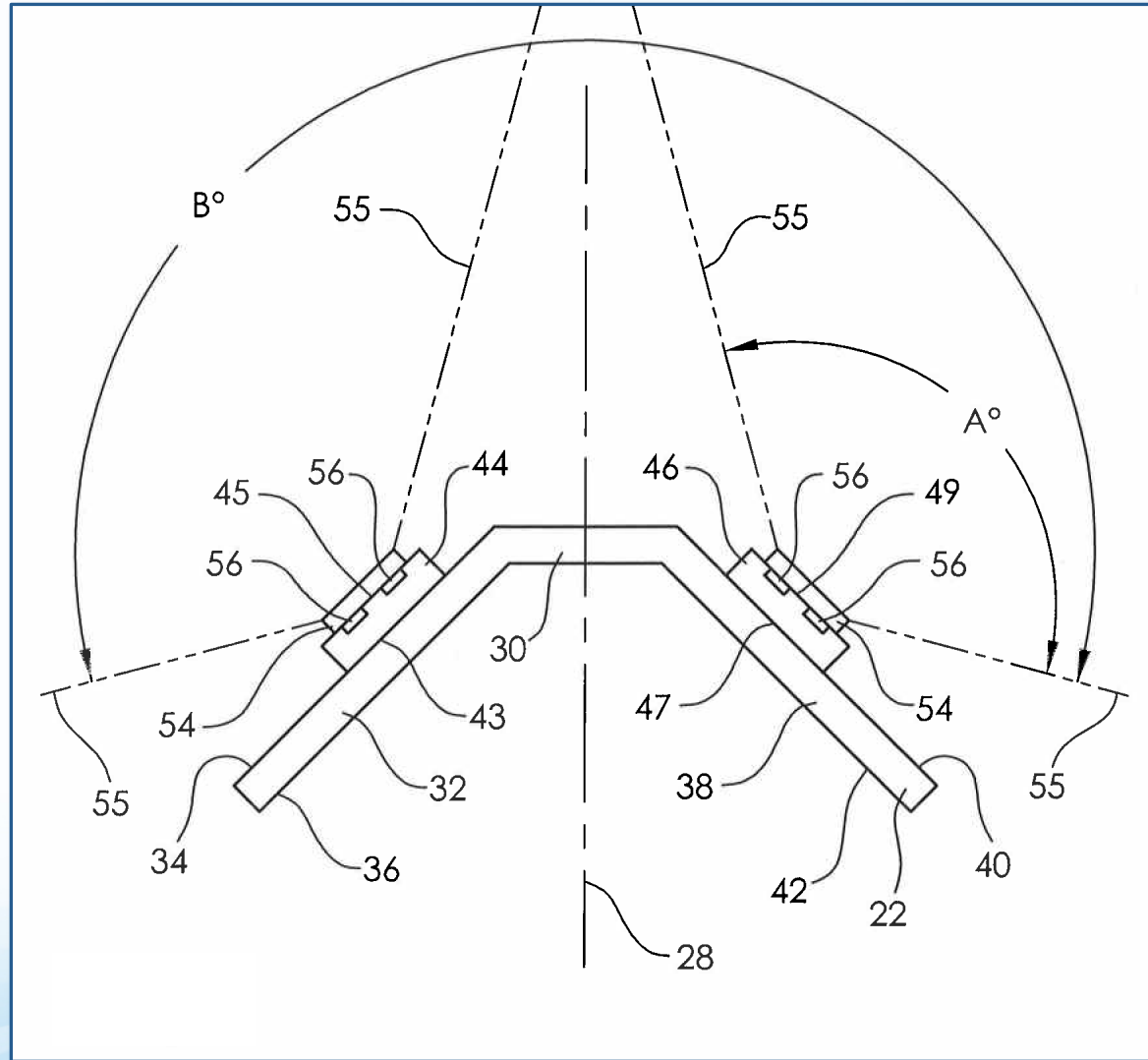


| | 2x2 Raw | 2x2 Installed in troffer with acrylic lens | 2x4 Raw | 2x4 Installed in troffer with acrylic lens |
|-----------------|--------------------|---|--------------------|---|
| Wattage | 40 | 38 | 45 | 43 |
| Lumens | 4500 | 3715 | 5100 | 4270 |
| CRI | >80 | 86 | >80 | 84 |
| Efficacy | 112.5 | 97 | 107 | 99 |

LED RKL APPLICATIONS

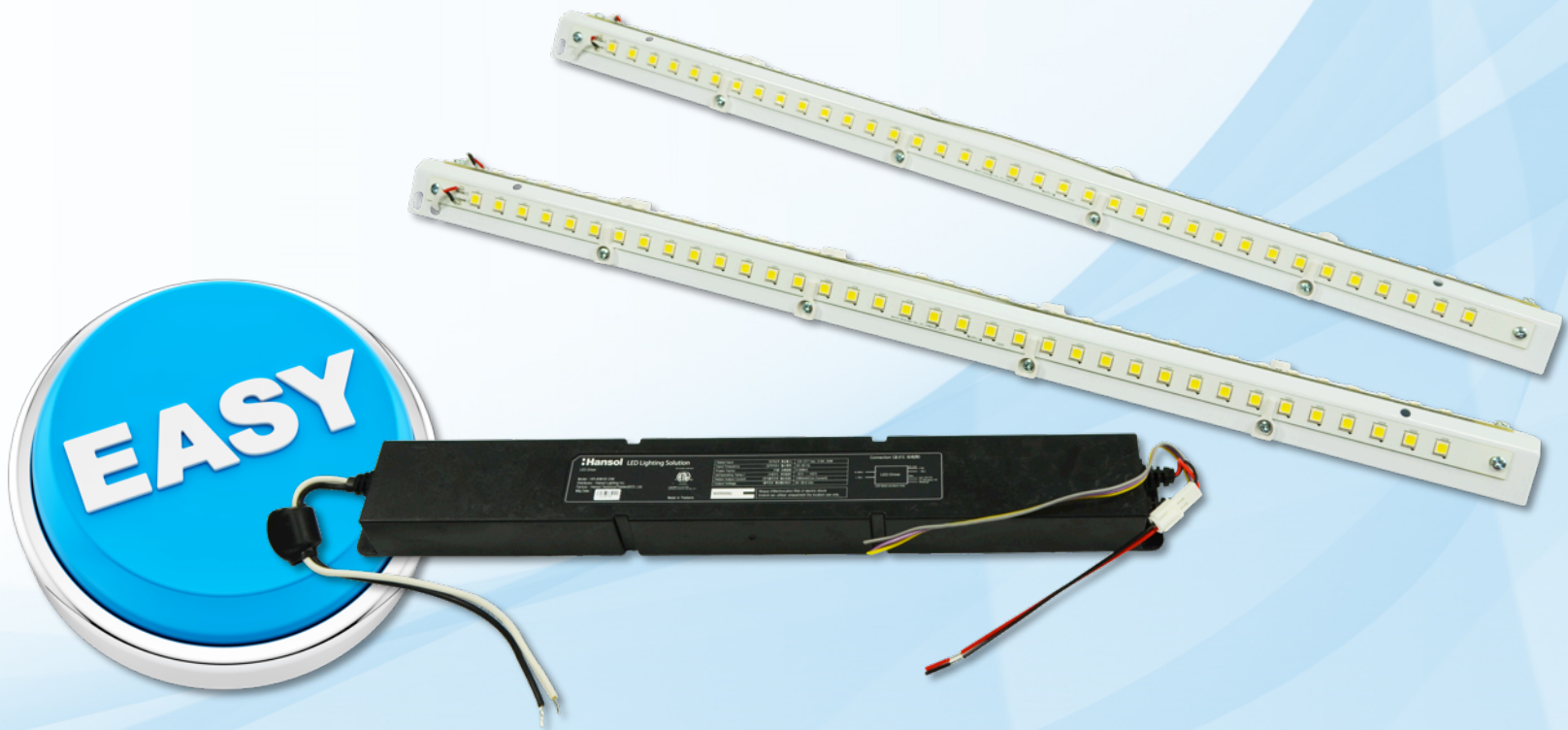


RKL – Retrofit Kit Strips



0-1-10V SIMPLE DIMMING DRIVER

- Offers continuous dimming to 10% with full cut off at the end of the dimming curve.
- No need to utilize an auxiliary power pack or on/off switch.
- Minimizes labor costs, no need to add additional switches and line voltage wiring.



MAXLITE'S THERMAL DOT STICKER

These kits come standard, featuring thermal dot technology to protect you and your customers! A space age polymer permanent decal is applied, which **shows the maximum operating temperatures for the retrofit kit LED's and driver.**

Simple visual recognition shows when possible heat limits have been exceeded, thus protecting manufacture components, installers, and owners from surprise failures or premature end of life conditions.

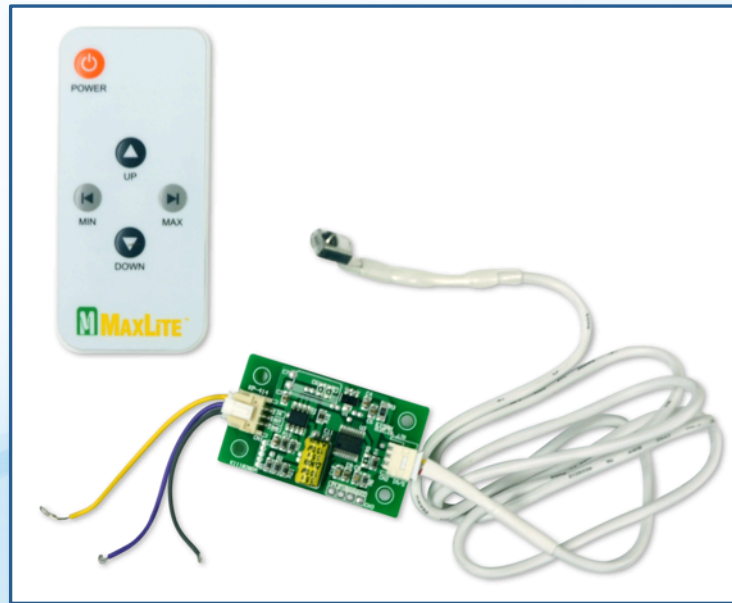


IR REMOTE KIT

- Dimming compatibility already confirmed
- Continuous dimming to 10% complies with CA Title 24
- IR allows retrofit professionals to maximize the energy savings for customers and minimize labor at the jobsite.

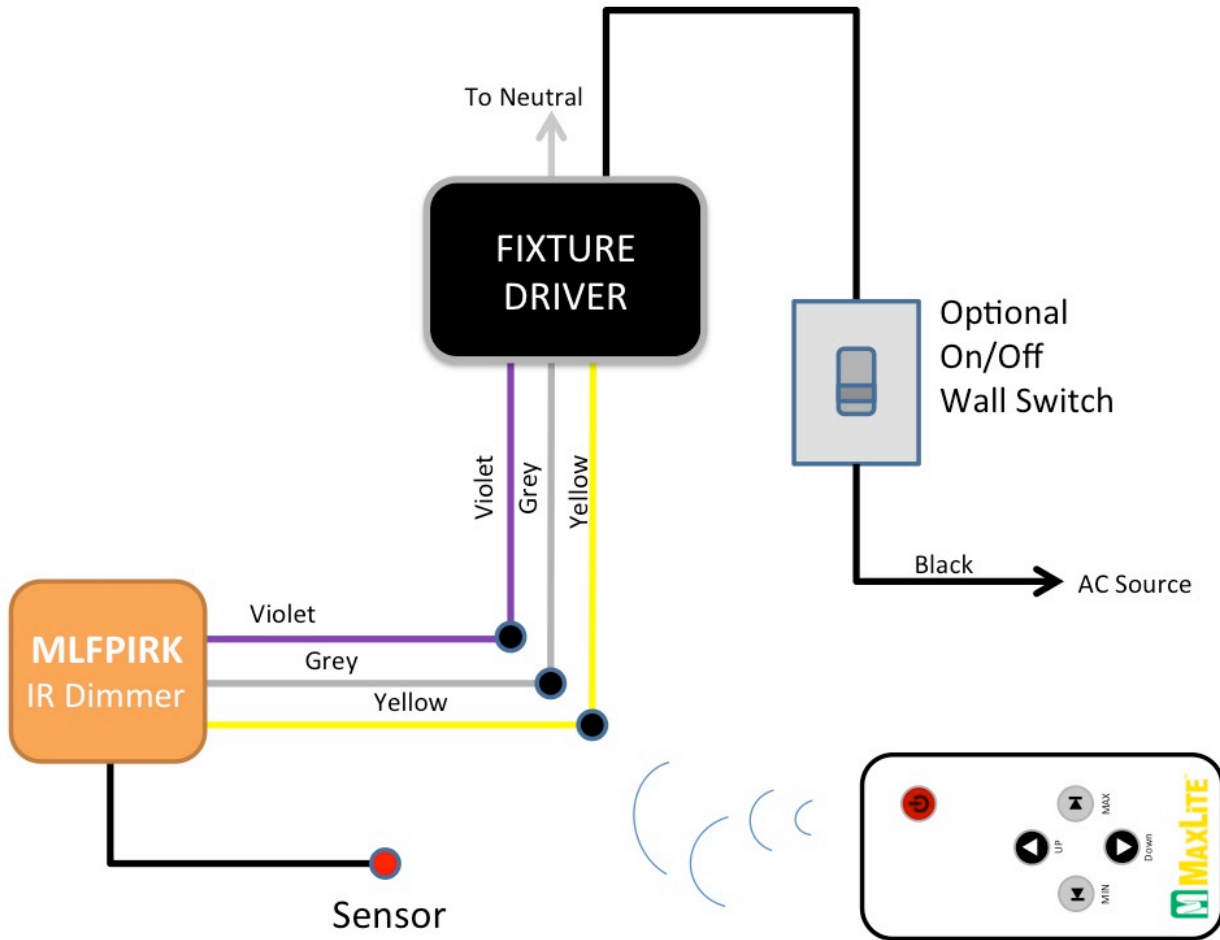
**COMING
SOON**

Stay tuned for RKT and RKL IR Dimming Control promotion from: 9/30/14 – 12/31/14, Order 10 or more Retrofit kits and receive free IR Dimming Upgrade!



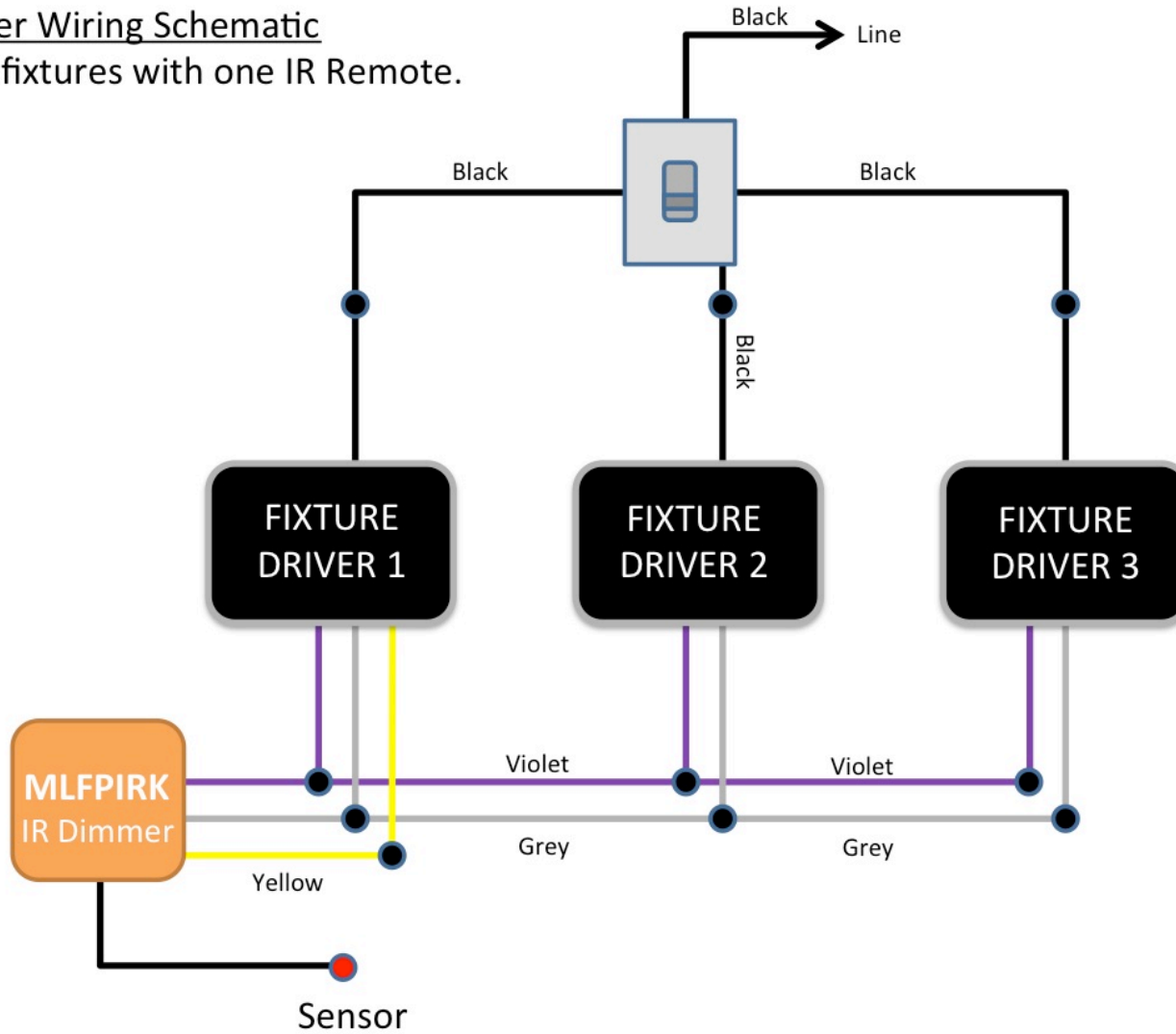
IR Dimmer Wiring Schematic

Single fixture with one IR remote.



IR Dimmer Wiring Schematic

Multiple fixtures with one IR Remote.



University.MaxLite.com



MAXLITE LIGHTING & TECHNOLOGY UNIVERSITY



**Product Training
Modules**



**Earn Your
Lighting Degree**



**Other Lighting &
Technology Resources**

The department function is to train and provide product training material for all MaxLite representatives, customers and employees. The goal of the department is to educate the staff and rep network to a full and complete understanding of our products, technologies, marketplace, and business environments. We endeavor to educate how and why lighting functions, repair and replacement, as well as compare to competitors or listing requirements. We will accomplish this by providing the tools and services proactively and as needed to supplement.

[Click here to get started!](#)

Custom Product & Technology Training

Ask about our FREE custom webinar/training services!

- Lunch and Learn
- Breakfast and Learn
- Online via webinar
- Focus on a specific MaxLite product or a broad overview
- Focus on LED Technology or general lighting training
- Custom Presentations for your customers or staff



Email Greg Murphy at gmurphy@maxlite.com for more info!

MAXLITE'S UTILITY REBATE SERVICES

MaxLite makes it easy to find and complete rebates for you and your customers!

- C&I Rebate Finder
- Utility Rebate Flyers
- Custom Rebate Calculator
- DLC / ENERGY STAR / LDL Product Listings
- Utility Rebate Paperwork Service



Email Joe Pater at jpater@maxlite.com for more info!

QUESTIONS/ANSWERS

Thank you everyone for your attention! Please feel free to use this opportunity to ask any questions you may have about MaxLite or the products/topics discussed in this presentation.

FOR MORE INFORMATION ABOUT OTHER MAXLITE PRODUCTS, OR FOR LIGHTING QUESTIONS IN GENERAL; PLEASE CONTACT:

info@maxlite.com

<http://www.maxlite.com>

1-800-555-5629