

MaxLite®

A NEW WAVE OF LIGHT



LIGHTFAIR PRE-SHOW WEBINAR

APRIL 26, 2018

© 2018 MaxLite®. All Rights Reserved.

Agenda: April 26, 2018

- Lightfair 2018 Introduction
- Indoor (Commercial)
- Indoor (Industrial)
- Lamps
- Controls
- Outdoor
- Specialty (Hazardous Location, Signage, Horticulture)
- Q&A



MaxLite Webinars
A NEW WAVE OF LIGHT

MaxLite Presents:
**LIGHTFAIR
2018
PREVIEW
WEBINAR**

**Thursday,
4/26/18 @ 12pm EST**

MaxLite will showcase its latest indoor and outdoor LED innovations at Lightfair 2018 (Booth #3633)
Join us on Thurs. 4/26 for a sneak preview of what's in store!



**LIGHTFAIR
INTERNATIONAL**
The future. Illuminated.
2018



GET A **FREE EXHIBIT HALL PASS** COURTESY OF **MAXLITE** **VIP COCKTAIL PARTY**
CLICK HERE TO REGISTER USE CODE: V24861 **Join our 25th Anniversary Celebration**
BOOTH 3633
Tuesday, May 8th - 4-6PM

Click Here To Register Now!

**BE OUR GUEST AT
LIGHTFAIR 2018
IN CHICAGO**

GET A **FREE EXHIBIT HALL PASS**
COURTESY OF **MAXLITE**
CLICK HERE TO REGISTER
USE CODE: **V24861**

LFI INTERNATIONAL
The future, illuminated. **2018**

MaxLite
A NEW WAVE OF LIGHT

25
1993 **M** 2018

VIP COCKTAIL PARTY
Join our 25th Anniversary Celebration
BOOTH 3633
Tuesday, May 8th - 4-6PM

Free Exhibit Hall Passes
MaxLite code: V248861

**Cocktail Party Day 1,
4-6PM**

25th anniversary
lapel pins; wristbands
will also be available

**Lightfair May 8-10
Booth 3633**

Tues./Wed. 9AM – 6PM
Thurs. 9AM – 3PM



INDOOR

Highbays Island

- 14b 130W HP Series High Bay Pendant
- 14d BLHE 2100W w/ Sensor
- 14a 130W HL Gen 2 Linear High Bay w/ Sensor
- 14c High Lumen Round High Bay w/ Sensor

LiteBars

- 13a (2) 6" LiteBar, 3500K, (2) 12" LiteBar, 3500K
- 13a (2) 24" LiteBar, 3500K, (2) 36" LiteBar, 3500K
- 13a (2) 48" LiteBar, 3500K

Recessed Panels

- 12b 2X4 EdgeLit Panel
- 12b 2X2 Arcmax
- 11 2X4 Indirect Troffer

Downlights

- 10e 8" RRC Downlight, 20W, 4000K
- 10d 8" RRECO Downlight, 18W, 4000K
- 10a 6" Universal Downlight, 13W, 4000K
- 10b 4" J-Box Downlight, 9W, 4000K
- 10c 4" Faux Can

SHELF

- 10f 6" RRC Downlight, 10W, 4000K, EM
- 10g 6" Universal Downlight, 18W, 4000K
- 10h 4" J-Box Downlight, 7W, 4000K

Retrofit Kits

- 9b 2X2 Lensed Retrofit Kit
- 9c 2X2 Troffer Retrofit Kit
- 9a Retrofit Strip w/ Sensor

HumanCentric

- 7 2X2 ArcMax Tunable White

HumanCentric

- 8 WAITING on product

Linear Luminaires

- 6a TriMax Gen 2 w/ Sensor
- 5 Box Linear Luminaire
- 6b 8' Box Linear Luminaire

Track Lighting

- 2 (4 Track heads no order on track)

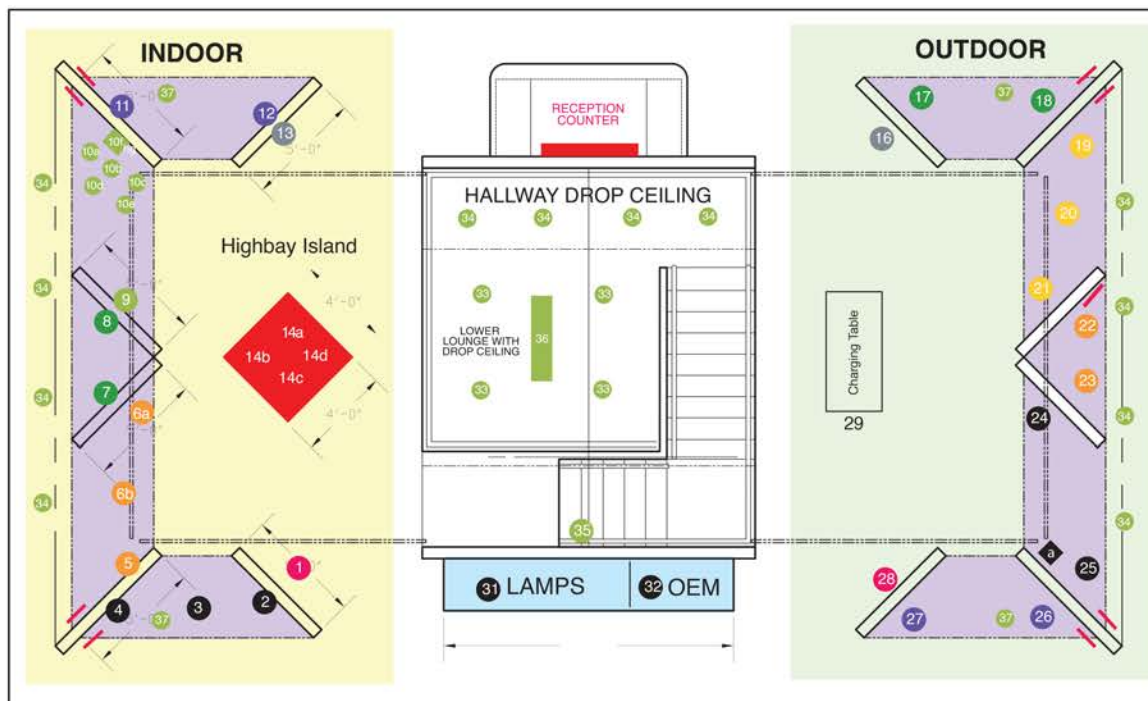
Multi-Residential

- 3a 13" Slim Flush Mount, 15W, 3000K
- 3b 14" Architectural Series, Flush Mount
- 3c Traditional Flush w/ Retrofit Kit FRK
- 4d 25" Architectural Vanity
- 4c 10.5" Architectural Sconce
- 4a Small mission Lantern Black
- 4b Coach Lantern

1 SPECIALITY LAMPS

- 1. L14T8DF440-GA
- 1. L15T8SE440-GB
- 1. L13T8EX440
- 1. DDR2L13
- 1. U15.5T8SE240
- 1. L25T5DF440-CG4
- 1. L25T5SE440-CG
- 1. 5' Refrigeration Bar

2018 LFI BOOTH FLOOR PLAN



Graphic Monitors

Decorative Booth Lighting

- 33 8" Universal Downlight
- (4) Lounge
- 34 6" Universal Downlight
- (4) Hallway
- (8) Archways
- 35 (15) Round Pendants
- 36 Up/Down Round Pendant
- 37 (4) Large Bullets 5000K

31 LAMPS

- F4B10DLED927/JA8
- F8.5A19DLED927/JA8
- F4T10DLED927/JA8
- F7G25DLED27/G2
- V6.5ST19DLED922/JA8
- E6A19DLED927/JA8
- E10A19DLED930/G2/JA8
- E12A19DLED930/JA8
- E17A21DLED930/JA8
- LST dusk to dawn
- 120PT50
- 7BR20DLED30/G3
- 11BR30DLED927/G4
- 12BR40DLED30/G3
- 7P20DLED930FL/JA8
- 12P30LNLED930FL/JA8
- 12P30DLED930FL/JA8
- 15P38DLED930FL/JA8
- 5G16.5DLED27
- 10G25DLED927/JA8
- 12G40DLED30

- 10PUBDLED930/JA8
- 10CPUALLED30
- 15A21/3WLED930
- 2.5G4LED27
- 2.5WDGLED27
- 3G9DLED27
- 5G9DLED27
- 6PLGX23LED40
- 8PLGX23LED40
- 12PLG24QLED40
- 12PLG24QVLED40
- LESKTC0827C

32 OEM/ LIGHT ENGINES and MODULES

- FRK10X3-930/V2
- FRK17X4-930/V2
- K23X5.5-930/V2
- FRK28X7-930/V2
- FRK28X7-930/V2
- 18LELK11.5B930
- 10LELK5.5B930F
- 18LELK11.5B930F

OUTDOOR

- 16 Controls
- TV showing video and velcrowed product

QMP

- 17a Pole MOUNT
- 17b Wall Pack Mount
- 17c Trunion Mount

MPulse Visual Comfort

- 18d 28W WALL MOUNT, SILVER, VC
- 18e 28W CANOPY, SILVER, VC
- 18a 100W AREA LIGHT, SILVER, VC
- 18b 50W FLOOD, SILVER-KnuckleSurf, VC
- 18c BOLLARD, SILVER, VC

MPulse Wall Mount

- 19 28W MPULSE WALL MOUNT, BRONZE

Canopy

- 20a 30W LOW PROFILE CANOPY, PENDANT, BR
- 20b 28W SURFACE MOUNTED CANOPY, BR

MPulse Floods

- 21b 100W FLOOD WITH TRUNNION, SILVER
- 21a 8W BULLET FLOOD, SILVER

Area Lights

- 22a 150W QMP, WHITE
- 22b 300W QMP, BRONZE exploded
- 23a 140W AR-MAL, BRONZE
- 23b 200W MPULSE AREA, BRONZE

MPulse HI Output Flood

- 24 600W HIGH OUTPUT FLOOD, SILVER

- 25 BOLLARD, SILVER, VC

Hazardous/Horticulture

- 26a 630 WATT TWO-LAMP CMH
- 26b 1000W DE HPS COMPLETE FIXTURE
- 26c 600W Full Spectrum Spotlight Fixture
- 26d T8 Lamp display with lamp

- 27a HazLoc HLR Max
- 27b HazLoc Jelly Jar
- 27c HazLoc Area Light
- 27d HazLoc Linear

Signage

- 28 Signage box with Tube inside
- 28 Large X with Modules

MaxLite®

A NEW WAVE OF LIGHT

INDOOR COMMERCIAL PRODUCTS





*Available now

Model Number	Size	Wattage
MLVT14D40xx/SBMS	1' x 4'	36W
MLVT22D36xx/SBMS	2' x 2'	36W
MLVT24D45xx/SBMS	2' x 4'	45W

- Bi-Level motion sensor with remote control capability
- One sensor can control multiple standard units via 0-10V connection
- Microwave technology
 - Sensor behind the lens
- Remote control purchased separately (RMHYTHRC-05)
- Available on 1x4, 2x2, and 2x4



On order; June '18

Model	Size	Wattage	Lumens
TRK22D23xx	2' x 2'	23	3,000
TRK24D33xx	2' x 4'	33	4,150

BASICS

- Center Basket Troffer Retrofit Kit
- 2X2, 2X4
- 3500K, 4000K on order
- >125 LPW
- L70 > 50,000 hours

FEATURES

- Fits many troffer housings
- 3-pc with optional trim pieces to cover any gaps
- BBU Available



On order; June '18

Model	Size	Wattage	Lumens
MLIT22D25xx	2' x 2'	25	3,200
MLIT24D32xx	2' x 4'	32	4,500

BASICS

- New form factor for the Indoor Troffer portfolio
- 2X2, 2X4
- 3500K, 4000K on order
- >125 LPW

FEATURES

- Indirect lighting produces soft visual effect
- Architectural aesthetic of volumetric fixture
- BBU Available
- Controls Enabled



*Available now

Model	Size	Wattage	Lumens
RCF613xxW	6"	13	1000
RCF618xxW	6"	18	1500
RCF813xxW	8"	13	1000
RCF818xxW	8"	18	1500

BASICS

- New form factor for the downlight portfolio
- 3000K, 3500K, 4000K
- 120-277V
- ~ 95 LPW

FEATURES

- Retrofit or New Construction
- 120V Dimming (Triac)

RRC DOWNLIGHT:

MaxLite®



Beginning May '18

- 4", 6", 8", 9" Reflectors
- 10W, 15W, 20W, 30W, 50W
- ~100 LPW
- 3000K, 3500K, 4000K, 5000K
- 120-277V
- 0-10V or Triac dimming options
- Integrated EM option (June)



Model	Size	Wattage	Lumens
LB06xx	6"	3	150
LB12xx	12"	6	300
LB24xx	24"	12	650
LB36xx	36"	18	950
LB48xx	48"	24	1,300

- Unique connecting system
- 3 Mounting methods
 - Pivot, Magnetic, Bracket
- Available in 2700K, 3500K and 5000K
- 120V
- Triac Dimming standard
- 5 year warranty
- A la carte ordering



*Available now

- 24" Round EdgeLit Pendant
- 36W, 120-277V, 0-10V Dimming
- Direct → Surface mount
- Direct / Indirect → Suspension mount
- 3500K, 4000K available initially
- White diffuser, white finish

1X4 PENDANT:

MaxLite®



*Available now

- 1X4 EdgeLit Pendant
- 40W, 120-277V, 0-10V Dimming
- Direct / Indirect
- 3500K, 4000K available initially
- White or clear diffuser, white finish

MaxLite®

A NEW WAVE OF LIGHT

INDOOR INDUSTRIAL PRODUCTS



High Bays - Linear



HL Gen 2



BLHE

High Bays – Round



HP Gen 2



High Temperature

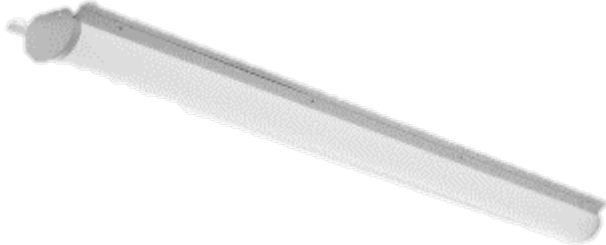
Linear



TriMax Gen 2



L-Max



RS Retrofit Strip

HIGH BAY PENDANT – HP GEN 2:



- 4000 and 5000K
- 0-10V dimming
- CRI >80
- Operates -4°F to 122°F (-20°C to 50°C)
- 5/10 year limited warranty

Options include

- Battery Backup Unit
- On/Off Sensor
- Bi-Level Sensor
- Daylight Harvesting

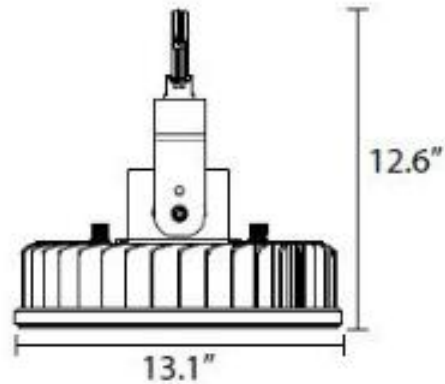
***Available Now**

Wattage	Lumens	Equivalency
90	13,380	175W MH
130	19,800	250W MH
160	24,625	400W MH
185	28,500	600W MH

ORDER CODE	MODEL NUMBER	DESCRIPTION	PRODUCT IMAGE
14099234	HP-SHADEKIT-FR	Polycarbonate Frosted Shade w/ Installation Screws	
100666	HP-DRPLNSKIT	Polycarbonate Drop Lens w/ Installation Clips *Shade is required for use of drop lens	
100250	HP-WMB	Surface Mount Bracket	
101286	BLHTD120-12/5	10' Modular Wiring Drop (120V)	
75324	BLHTD277/480-12/5	10' Modular Wiring Drop (277/480V)	
103492	RMTITXSRP280	MSC Sensor Remote	
102184	FSIR-100	High Voltage MSC Sensor Remote	

HIGH TEMPERATURE ROUND HIGH BAY:

MaxLite®



Wattage	Lumens	CCT
240W	30,000	5000K

- 50,000 hour L70
- 5 year limited warranty
- Operates -40°F to 149°F (65°C)
- High voltage option (347-480V)
- MS option available
- Will be DLC Premium listed

*Available July

HL LINEAR HIGH BAY GEN 2:

MaxLite®



Nominal Wattage	Nominal Lumens
90	12,000
130	18,000
160	22,000
185	26,000

- Up to 160 lm/W
- Will be DLC Premium with lenses



*Available July

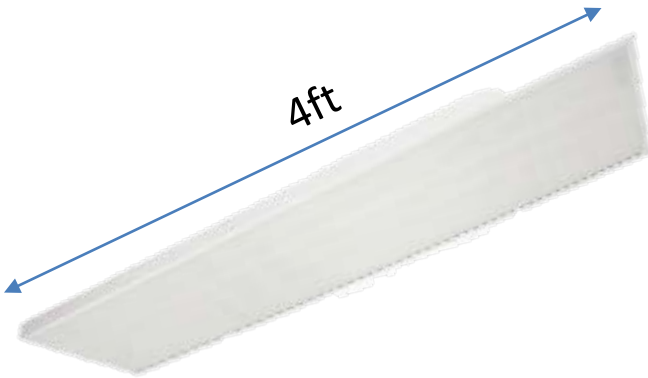
BLHE SERIES ECO HIGH BAY:



90W,
135W
162W



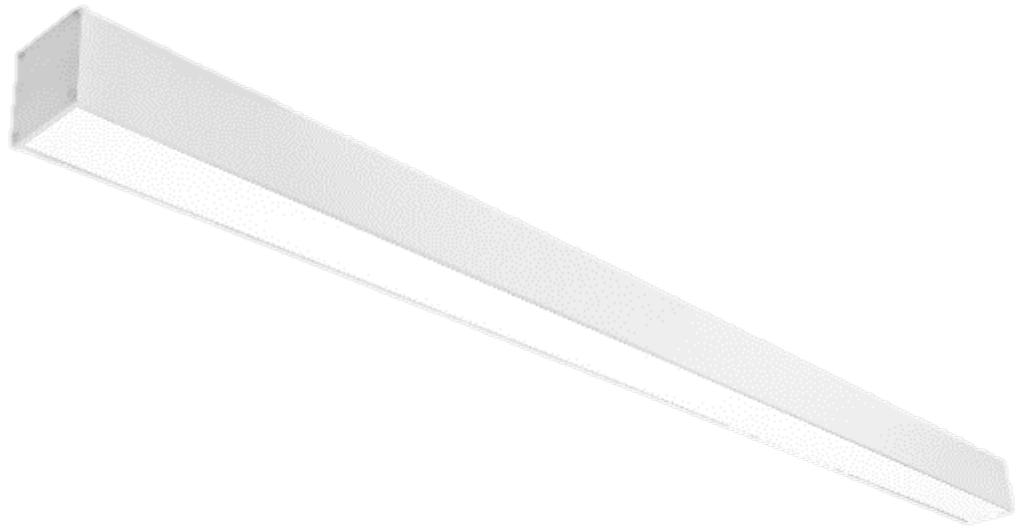
223W
321W



Wattage	Lumens	Dimming	Equivalency
90	12,000	Yes	4-lamp T5HO
135	17,400	Yes	6-lamp T5HO
162	20,900	Yes	6+-lamp T5HO
223	27,700	Yes	8-lamp T5HO
321	41,000	Yes	8+-lamp T5HO

- Available in 5000K, 4000K special order for 135W and 162W
- 5 year limited warranty
- Motion sensor optional
- Field installable battery backup compatible with all models
- DLC Premium listed

L-MAX (LFORM UPGRADE):



*Available July

Length	Wattage	Lumens
4'	40W	5000 lm
4'	60W	7800 lm

- 4 ft product, connectable to 8+ ft
- Available in 40W and 60W
- 4000K standard, 3500K and 5000K available special order
- Wide distribution only
- MS and EM options available
- Accessories include connecting kit and T, X, and L connectors
- Will be DLC Premium



*Available July

Current Generation		Next Generation	
Wattage	DLC	Wattage	DLC
40W	Standard	35W	Premium
60W		55W	

- Easily linkable for continuous runs
- 90° connector cables
- Translucent end caps and connectors
- Surface mount distance increases from 1" to 2"
- MS and EM options available
- Accessories include connecting kit and end bracket kit
- Will be DLC Premium

RETROFIT AND LINEAR STRIP – DLC UPDATE:



Current Generation			Next Generation		
DLC	Wattage	Lumens	DLC	Wattage	Lumens
Standard	24W	2,800		-	-
	36W	4,200	Premium	35W	4,600
	-	-		46W	6,000



*Available Now

- 24W discontinued
- 46W new
- MS option available
- DLC Premium

VAPOR TIGHTS AND WRAPS: (LSV/LSU)



*Available July

Current Generation		Next Generation	
Lumens	Wattage	Wattage	Lumens
2,900	21W →	25W	3,000
4,300	33W →	35W	4,500
6,300	50W →	45W	6,000

- Reduced price
- Low cost high frequency sensor option
- No clear lens option for LSV
- Will be DLC Premium
- 45W Will be DLC Low Bay qualified

“PALLET PROGRAM” UPDATE:



Current Generation		Next Generation
LSVECO-4NU4040		LSVECO-4DU4040
LSVECO-4NU4050		LSVECO-4DU4050
LSUECO-4NU4040		LSUECO-4DU4040
LSUECO-4NU4050		Heavily Discounted
LSECO-4NU2050-2PK		Heavily Discounted

*These two models are in “sell off mode”

- No more pallet program
- New models dimmable

*Available June

MaxLite®

A NEW WAVE OF LIGHT

LAMPS



A-LAMPS: JA8 COMPLIANT



6W, 10W, 12W



17W



Key Features & Benefits

- Replacement for 40W, 60W, 75W, 100W
- JA8 Compliant
- Dimmable down to 10%
- Long life: 25,000 hours (L70)
- CRI ≥ 90, R9 ≥ 50
- 5 Year limited warranty
- Available in 2700K, 3000K
- Suitable for damp locations
- Enclosed models are suitable for totally enclosed fixtures.
- UV and IR free
- Mercury and lead free
- RoHS compliant
- Instant-on

Item #	Wattage	Color Temperature	Lumens
E6A19DLED927/JA8*	6	2700K	450
10A19DLED9xx/G2/JA8	10	2700K & 3000K	800
E10A19DLED9xx/G2/JA8*	10	2700K & 3000K	800
12A19DLED927/JA8	12	2700K	1100
E12A19DLED927/JA8*	12	2700K & 3000K	1100
17A21DLED9xx/JA8	17	2700K & 3000K	1600
E17A21DLED9xx/JA8*	17	2700K & 3000K	1600

“xx” can be 27=2700K, 30=3000K. *Enclosed-rated model



NEW 15W
T20 Compliant



Key Features & Benefits

- Replacement for 40W/60W/100W
- Suitable for 3-Way Socket
- Non-Dimmable
- Long life: 25,000 hours (L70)
- CRI ≥ 82, 90+ (T20 model)
- 5 Year limited warranty
- Available in 2700K, 3000K
- Suitable for damp locations
- Not suitable for enclosed fixtures
- UV and IR free
- Mercury and lead free
- RoHS compliant
- Instant-on

Item #	Wattage	Color Temperature	Lumens
NEW 15A21/3WLED927	4W/9W/15W	2700K & 3000K	500/1000/1500

“xx” can be 27=2700K, 30=3000K.



G16.5



NEW G25



NEW G40



Key Features & Benefits

- Dimmable down to 10%
- Long life: 25,000 hours (L70)
- CRI ≥ 82, 90+ (JA8)
- 5 Year limited warranty
- Available in 2700K. 3000K (G40)
- Suitable for damp locations
- Not suitable for enclosed fixture
- UV and IR free
- Mercury and lead free
- RoHS compliant
- Instant-on

Item #	Wattage	CCT	Lumens	Replacement
5G16.5DLED27	5	2700K	350	40W Inc.
NEW 12G40DLED30	12	3000K	950	100W Inc.
NEW 10G25DLED927/JA8	10	2700K	800	100W Inc.



LED FILAMENT: A19, B10, ST19, G25



B10

A19



G25

NEW ST19



NEW T10



Key Features & Benefits

- Dimmable down to 10%
- 15,000 hours (L70)
- CRI ≥ 80, ≥ 90 (JA8 models)
- 3 Year limited warranty
- Available in 2700K. 2200K (ST19)
- Suitable for damp locations
- Not suitable for enclosed fixture except for V6.5ST19DLED922/JA8
- UV and IR free
- Mercury and lead free
- RoHS compliant
- Instant-on

Item #	Wattage	CCT	Lumens	Replacement
F7G25DLED27/G2	7.5	2700K	800	60W Inc.
F4B10DLED927/JA8	4	2700K	300	40W Inc.
F8.5A19DLED927/JA8	8.5	2700K	800	60W Inc.
NEW V6.5ST19DLED922/JA8	6.5	2200K	450	40W Inc.
NEW F4T10DLED927/JA8	4	2700K	300	40W Inc.





11W BR30



Key Features & Benefits

- JA8 Compliant
- Dimmable down to 10%
- Beam Angle: $\geq 110^\circ$
- Long life: 25,000 hours (L70)
- CRI ≥ 90 , R9 ≥ 50
- 5 Year limited warranty
- Available in 2700K, 3000K
- Suitable for damp locations
- Not suitable for enclosed fixture
- UV and IR free
- Mercury and lead free
- RoHS compliant
- Instant-on

Item #	Wattage	CCT	Lumens	Replacement
11BR30DLED9xx/G4	11	2700K, 3000K	800	65W Inc.

“xx” can be 27=2700K, 30=3000K

PAR20, PAR30, PAR30LN, PAR38-JA8 & T20

MaxLite®

NEW



PAR20



PAR30



PAR30LN



PAR38



Key Features & Benefits

- Dimmable down to 10%
- Beam Angle: 40°
- Long life: 25,000 hours (L70),
- CRI ≥ 90
- 5 Year limited warranty
- Available in 2700K, 3000K
- Suitable for damp locations
- Not suitable for enclosed fixture
- UV and IR free
- Mercury and lead free
- RoHS compliant
- Instant-on
- ETA: **May/June**

Item #	Wattage	CCT	Lumens	Replacement
7P20DLED9xxFL/JA8	7	2700K, 3000K	525	50W Inc.
12P30DLED9xxFL/JA8	12	2700K, 3000K	850	75W Inc.
12P30LNDLED9xxFL/JA8	12	2700K, 3000K	750	75W Inc.
15P38DLED9xxFL/JA8	15	2700K, 3000K	1150	100W Inc.

“xx” can be 27=2700K, 30=3000K



E26/GU24
9W Dim & 10W Non-Dim



E26/GU24
10W Compact Non-Dim
UL Listed (Wet) @ 120V
UL Listed (Damp) @ 277V



Key Features & Benefits

- 120-277V
- Replacement for 60W Inc.
- Dimmable & Non-Dim
- Long life: 50,000 hours (L70)
- CRI ≥ 80
- 5 Year limited warranty
- Available in 2700K, 3000K
- Suitable for damp/wet locations
- Suitable for enclosed fixture
- UV and IR free
- Mercury and lead free
- RoHS compliant
- Instant-on



Item #	Description	Wattage	CCT	Lumens
9PUADLEDxx	Standard, Dim	9	2700K, 3000K	800-850
9PUAGUDLEDxx	Standard, Dim	9	2700K, 3000K	800-850
10PUALEDxx	Standard, Non-Dim	10	2700K, 3000K	900-1000
10PUAGULEDxx	Standard, Non-Dim	10	2700K, 3000K	900-1000
10CPUALEDxx	Compact, Non-Dim	10	2700K, 3000K	900-1000
10CPUAGULEDxx	Compact, Non-Dim	10	2700K, 3000K	900-1000

“xx” can be 27=2700K, 30=3000K.

MINIATURES: G4, WEDGE, G9



2.5W Bi-Pin
(Non Dimmable)



2.5W Wedge
(Non Dimmable)



3W G9



5W G9



Key Features & Benefits

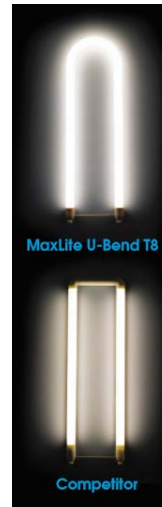
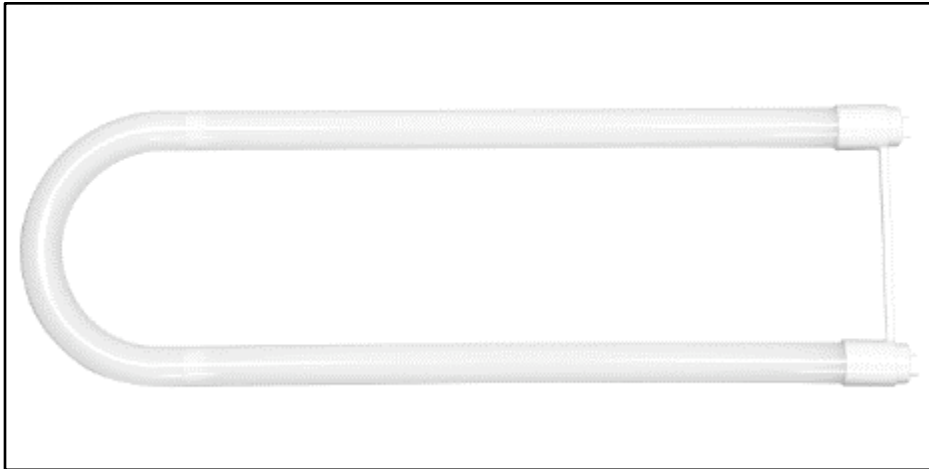
- 12V (G4, Wedge)
- 120V (G9)
- Dimmable & Non-Dim
- Long life: 25,000 hours (L70)
- CRI ≥ 80
- 3 Year limited warranty
- Available in 2700K
- Suitable for damp locations
- Not suitable for enclosed fixture
- UV and IR free
- Mercury and lead free
- RoHS compliant
- Instant-on



Item #	Description	Wattage	CCT	Lumens
2.5G4LED27	G4 Bi-pin, Non-Dim	2.5	2700K	180
2.5WDGLE27	Wedge, Non-Dim	2.5	2700K	180
3G9LED27	G9, Non-Dim	3	2700K	270
3G9DLED27	G9, Dim	3	2700K	270
5G9LED27	G9, Non-Dim	5	2700K	480
5G9DLED27	G9, Dim	5	2700K	360

T8: U-BEND (UL TYPE-B) - PLASTIC

NEW



Key Features & Benefits

- Ballast Bypass (UL Type-B)
- 120-277V
- All plastic construction
- Non-Dimmable
- Long life: 50,000 hours (L70)
- CRI ≥ 80
- 5 Year limited warranty
- Available in 3500K, 4000K, 5000K
- Suitable for damp locations
- Suitable for enclosed fixture
- UV and IR free
- Mercury and lead free
- RoHS compliant
- Instant-on



Item #	Description	Wattage	CCT	Lumens
U15.5T8SE2xx	U-Bend, 2ft	15.5	3500K, 4000K, 5000K	1800
G13UNS	Non-shunted Lamp Holder for U-Bend Lamps			

“xx” can be 35=3500K, 40=4000K, 50=5000K.



**PALLET
PROGRAM
PRODUCT**



Key Features & Benefits

- Plug & Play (UL Type-A)
- Compatible with most Instant Start ballasts
- Glass construction
- Non-Dimmable
- Long life: 50,000 hours (L70)
- CRI ≥ 80
- 5 Year limited warranty
- Available in 4000K, 5000K
- Suitable for damp locations
- Suitable for enclosed fixture
- UV and IR free
- Mercury and lead free
- RoHS compliant
- Instant-on

Item #	Description	Wattage	CCT	Lumens
L14T8DF4xx-GA-P	4ft	14	4000K, 5000K	2100

“xx” can be 40=4000K, 50=5000K.

T8: LINEAR (UL TYPE-B) – GLASS - PALLET



**PALLET
PROGRAM
PRODUCT**



Key Features & Benefits

- Ballast Bypass (UL Type-B)
- Glass construction
- Non-Dimmable
- Long life: 50,000 hours (L70)
- CRI ≥ 80
- 5 Year limited warranty
- Available in 4000K, 5000K
- Suitable for damp locations
- Suitable for enclosed fixture
- UV and IR free
- Mercury and lead free
- RoHS compliant
- Instant-on

Item #	Length	Wattage	CCT	Lumens
L15T8SE4xx-GB-P	4ft	15	4000K, 5000K	1900

“xx” can be 40=4000K, 50=5000K.

T8: LINEAR (UL TYPE-C) - PLASTIC

NEW



Key Features & Benefits

- External Driver
- Beam Angle: 330 degrees
- All plastic construction
- Dimmable with 0-10V dimmer
- Long life: 50,000 hours (L70)
- CRI: 83
- 5 Year limited warranty
- Available in 3500K, 4000K, 5000K
- Suitable for damp locations
- Suitable for enclosed fixture
- UV and IR free
- Mercury and lead free
- RoHS compliant
- Instant-on

Item #	Length	Wattage	CCT	Lumens
L13T8EX4xx	4ft	13	3500K, 4000K, 5000K	1650
L18T8EX4xx	4ft	18	3500K, 4000K, 5000K	2225
DDR2L13	2-Lamp Driver for 13W			
DDR4L13	4-Lamp Driver for 13W			
DDR2L18	2-Lamp Driver for 18W			
DDR4L18	4-Lamp Driver for 18W			

“xx” can be 35=3500K, 40=4000K, 50=5000K.

NEW



USL14T8DF4xx: UL-A, 14W bare lamp, 17W system, 1800 lumens

USL15T8SE4xx: UL-B, 15W system, 1800 lumens

- Only 4000K & 5000K will be available for the initial launch
- We have enough components to build 10,000pcs of UL-A, and 20,000pcs of UL-B
 - 4000K: 8500pcs (Type-A), 17000pcs (Type-B)
 - 5000K: 1500pcs (Type-A), 3000pcs (Type-B)
- **New ETA: End of April**

T5: LINEAR (UL TYPE-A) – COATED GLASS



Key Features & Benefits

- Plug & Play (UL Type-A)
- Compatible with most electronic 54W T5HO ballasts
- Glass w/PET construction
- Long life: 50,000 hours (L70)
- CRI ≥ 82
- 5 Year limited warranty
- Available in 4000K, 5000K
- Suitable for damp locations
- Suitable for enclosed fixture
- UV and IR free
- Mercury and lead free
- RoHS compliant
- Instant-on

Item #	Description	Wattage	CCT	Lumens
L25T5DF4xx-CG4	4ft	25	4000K, 5000K	3200

“xx” can be 40=4000K, 50=5000K.

T5: LINEAR (UL TYPE-B) – COATED GLASS

MaxLite®

NEW



Key Features & Benefits

- Ballast Bypass (UL Type-B)
- Coated glass
- Non-Dimmable
- Long life: 50,000 hours (L70)
- CRI: 83
- 5 Year limited warranty
- Available in 3500K, 4000K, 5000K
- Suitable for damp locations
- Suitable for enclosed fixture
- UV and IR free
- Mercury and lead free
- RoHS compliant
- Instant-on
- G5 base

Item #	Length	Wattage	CCT	Lumens
L12T5SE2xx-CG	2ft	12	3500K, 4000K, 5000K	1400
L16T5SE3xx-CG	3ft	16	3500K, 4000K, 5000K	1600
L13T5SE4xx-CG*	4ft	13	3500K, 4000K, 5000K	1600
L25T5SE4xx-CG*	4ft	25	3500K, 4000K, 5000K	3200

“xx” can be 35=3500K, 40=4000K, 50=5000K. *DLC model

PL LAMPS: BALLAST BYPASS



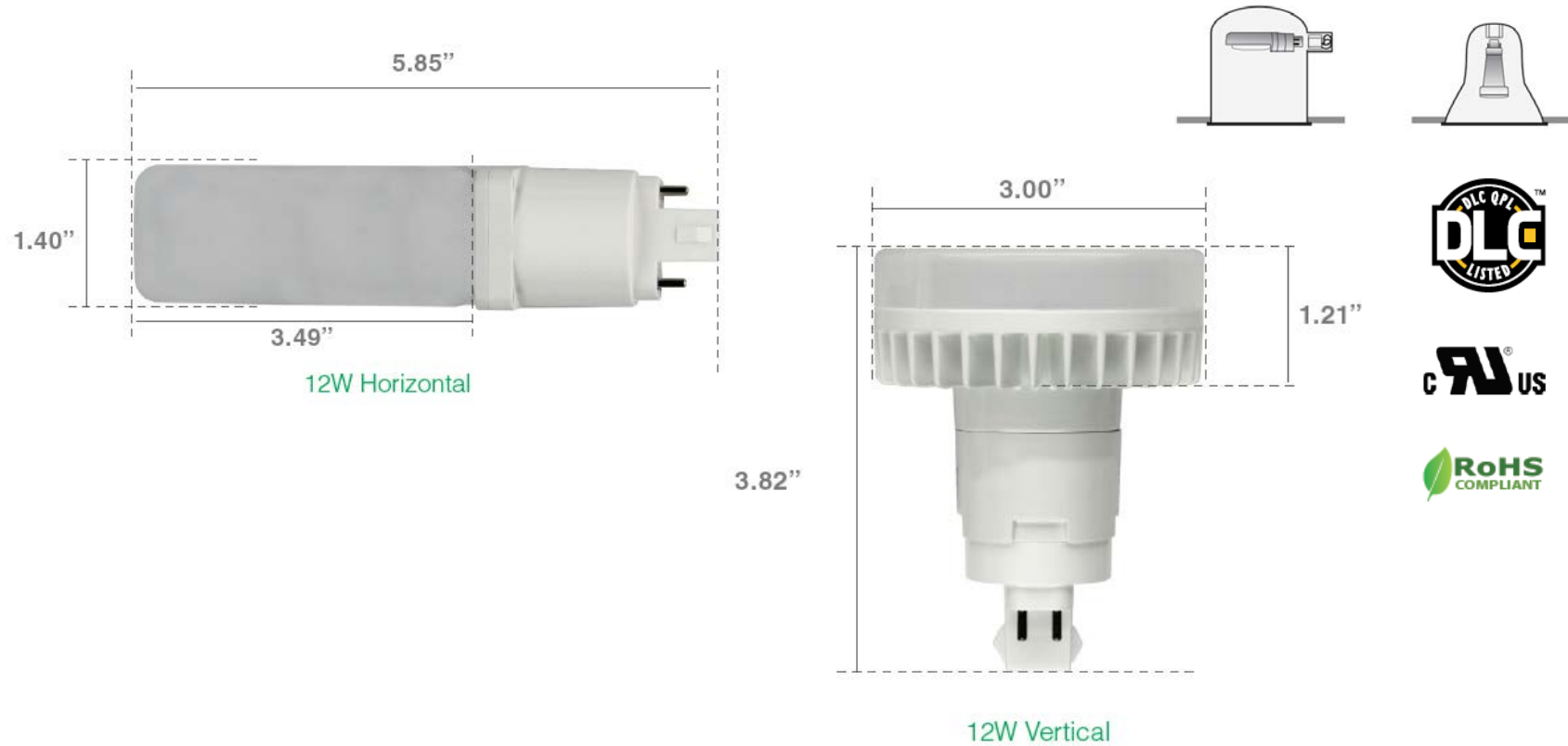
Key Features & Benefits

- 120-277V, ballast bypass
- Non-dimmable
- Available in E26, GU24, GX23, and G24q base.
- Rotatable base 270°
- Long life: 50,000 hours (L70),
- CRI ≥ 82
- 5 Year limited warranty
- Available in 2700K, 3000K, 3500K, 4000K, 5000K (select base type)
- Suitable for damp locations
- Suitable for enclosed fixture
- UV and IR free
- Mercury and lead free
- RoHS compliant
- Instant-on

Item #	Wattage	CCT	Lumens	Replacement
6PLGX23LEDxx 6PLG24QLEDxx 6PLGU24LEDxx 6PLE26LEDxx	6	2700K, 3000K, 3500K, 4000K, 5000K	500-525	13W Fl.
8PLGX23LEDxx 8PLG24QLEDxx 8PLGU24LEDxx 8PLE26LEDxx	8	2700K, 3000K, 3500K, 4000K, 5000K	675-725	18W Fl.

“xx” can be 27=2700K, 30=3000K, 35=3500K, 40=4000K, 50=5000K

PL LAMPS: BALLAST COMPATIBLE

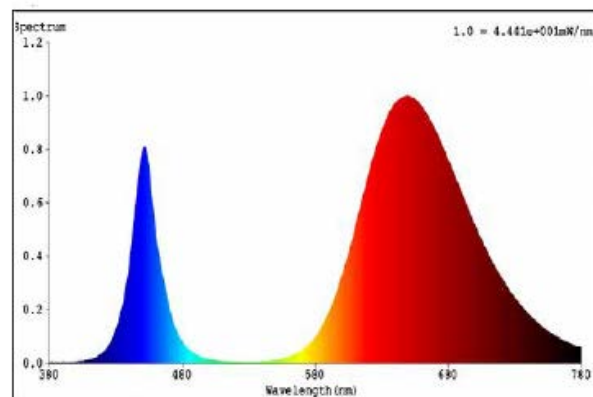


Key Features & Benefits

- Plug & Play (ballast compatible)
- Non-dimmable
- Available in G24q base
- Rotatable base 270° (horizontal model)
- Long life: 50,000 hours (L70)
- CRI ≥ 80
- 5 Year limited warranty
- Available in 2700K, 3500K, 4000K, Suitable for damp locations
- Not suitable for enclosed fixture
- UV and IR free
- Mercury and lead free
- RoHS compliant
- Instant-on

Item #	Wattage	CCT	Lumens	Replacement
12PLG24QHLEDxx	12	2700K, 3500K, 4000K	900-1000	26W Fl.
12PLG24QVLEDxx	12	2700K, 3500K, 4000K	900-1000	26W Fl.

“xx” can be 27=2700K, 30=3000K, 35=3500K, 40=4000K, 50=5000K



Spectral Distribution

Key Features & Benefits

- 120V-277V (UL Type-B)
- All plastic construction
- Peak wavelength at 450nm (royal blue) and 650nm (deep red)
- Long life: 25,000 hours (L70)
- 2 Year limited warranty
- Suitable for damp locations
- Suitable for enclosed fixture
- UV and IR free
- Mercury and lead free
- RoHS compliant
- Instant-on

Item #	Length	Wattage	PAR
L18T8SE415	4ft	18	25 $\mu\text{mol/s}$

MaxLite®

A NEW WAVE OF LIGHT

CONTROLS





MaxLite[®]

A NEW WAVE OF LIGHT

IntelliMax[®]

Intelligent Wireless Lighting Control System

POWERED BY
cortet[™]

IntelliMax[®]



- **Simplicity**
- **Performance & Reliability**
- **Options & Scalability**

IntelliMax[®]

Simplicity:

- **Designed to meet energy codes & save energy out-of-the-box**



IntelliMax[®]

Simplicity:

- **Wireless devices minimize wiring and installation time**
- **IntelliMax-enabled fixtures save time on site**

IntelliMax[®]

Easy, guided project start-up & commissioning via IntelliMax App



Simple Setup

Simple
Guided
Install



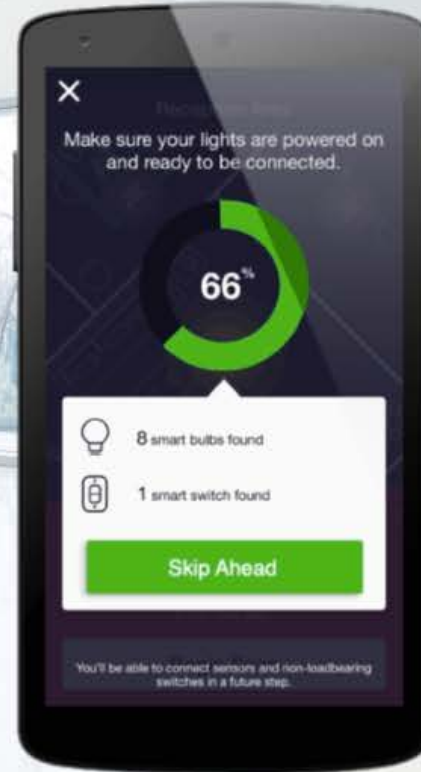
Simple
Gateway
Connection



Simple Room
by Room
Setup



Simple
Device Search
& Config



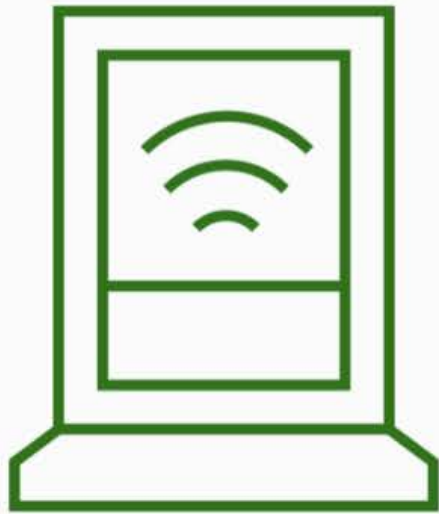
Simple
Control &
Grouping



IntelliMax[®]

Performance & Reliability:

- Full-scale testing, secure and fast



Proven standards-based wireless technology from ZigBee



IntelliMax[®]

Performance & Reliability:

- Full-scale testing, secure and fast



Rigorous, 24/7/265 testing to ensure ongoing performance

IntelliMax[®]

Performance & Reliability:

- Full-scale testing, secure and fast



New security threats are detected and overcome with Over-the-Air firmware updates to installed devices

IntelliMax[®]

Performance & Reliability:

- Full-scale testing, secure and fast



Low latency control responsiveness. Processing of sensor data and programmed schedules occurs near devices

IntelliMax[®]

Options/Scalability

- **Group or individual fixture controls.**
Cover a few rooms or an entire building.

IntelliMax[®]

Intelligent Wireless Lighting Control System

POWERED BY

cortet[™]



ZigBee[®]

For more information visit:

Maxlite.com/IntelliMax

MaxLite®

A NEW WAVE OF LIGHT

OUTDOOR



M**P**ulse™
BY **M**axLite®

PRODUCT LAUNCH

FAMILY OVERVIEW

Strengthen our position in Commercial Outdoor LED Lighting

- Most complete range of Architectural Outdoor Lighting Luminaires in the industry
- Distinctive and Unique Design
- Outstanding Performance & More Features
- Offer higher Tier products than our Traditional series
- Competitive Price
- Comprehensive Marketing Program

FAMILY OVERVIEW

What characterizes this new Range?

- Appealing Aesthetics
- Outstanding Performance
- More Features and Options
- Competitive Pricing
- 10 Year Warranty



AREA LUMINAIRES

- Available in 100W, 150W, 200W, 250W, 300W
- From 12,000 to 40,000 lumens
- Flexibility in application
 - Straight Arm Mount
 - Trunnion Swivel
 - 2-3/8" Slipfitter Knuckle



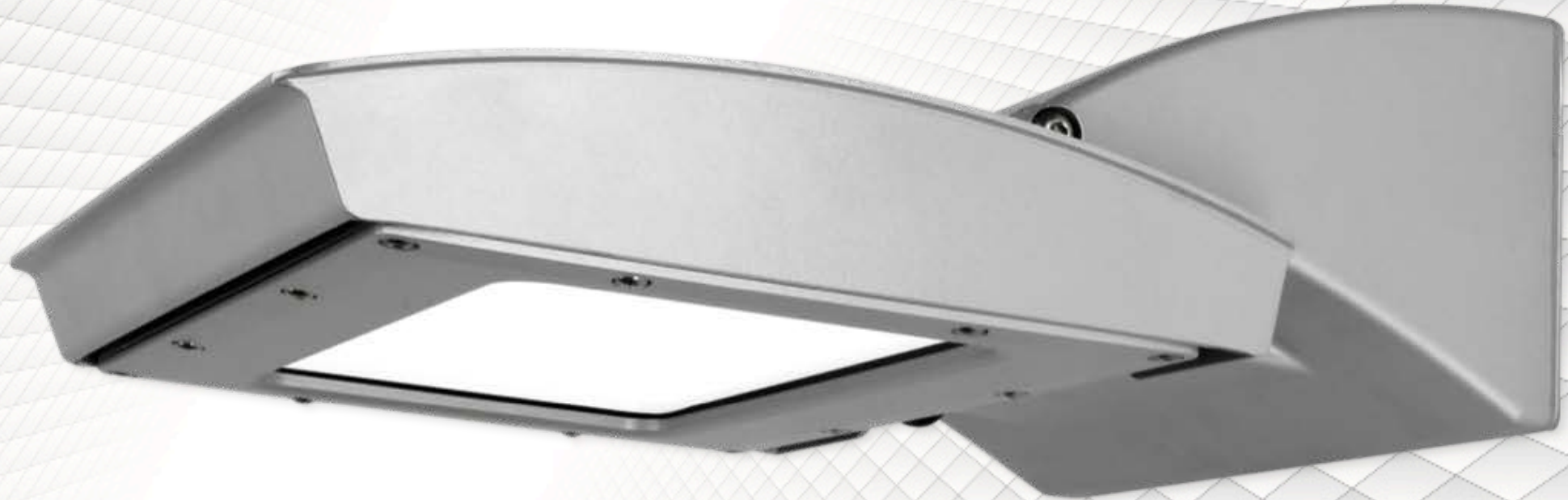
CANOPY

- 28W and 55W solutions
- 3,700 and 6,900 lumen packages
- Easy, one-person installation
- Surface Mount or Pendant Mount



WALL MOUNT LUMINAIRES

- 28W, 55W, and 100W
- From 3,000 to 11,500 lumens
- Adjustable Head 45° angle enabling Open Face or Cut Off
- Use for **UPLIGHT**



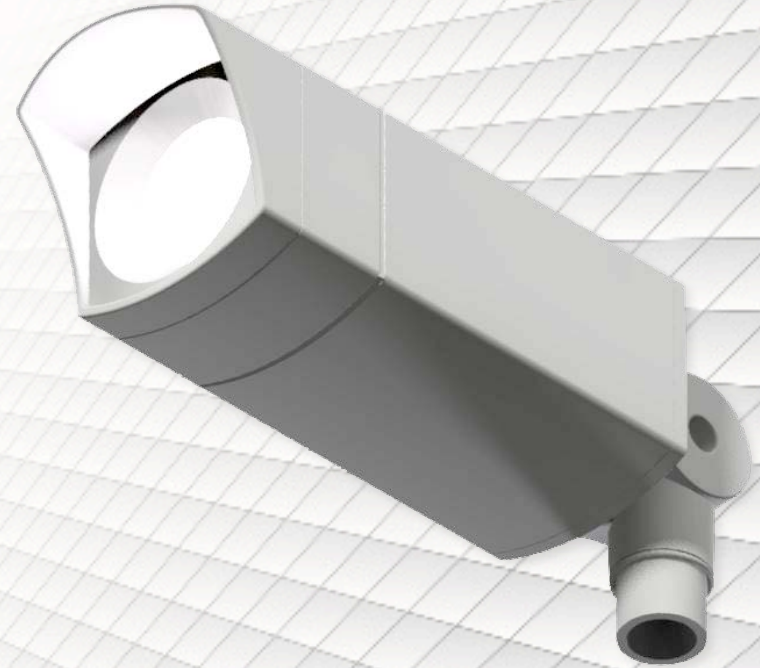
BOLLARD

- 12W and 25W
- 1,000 and 2,000 lumens
- Visual Comfort Standard



BULLET FLOODS

- 8W
- 24W
- Spot, Medium, Wide, Extra-Wide optics
- Field-adjustable driver



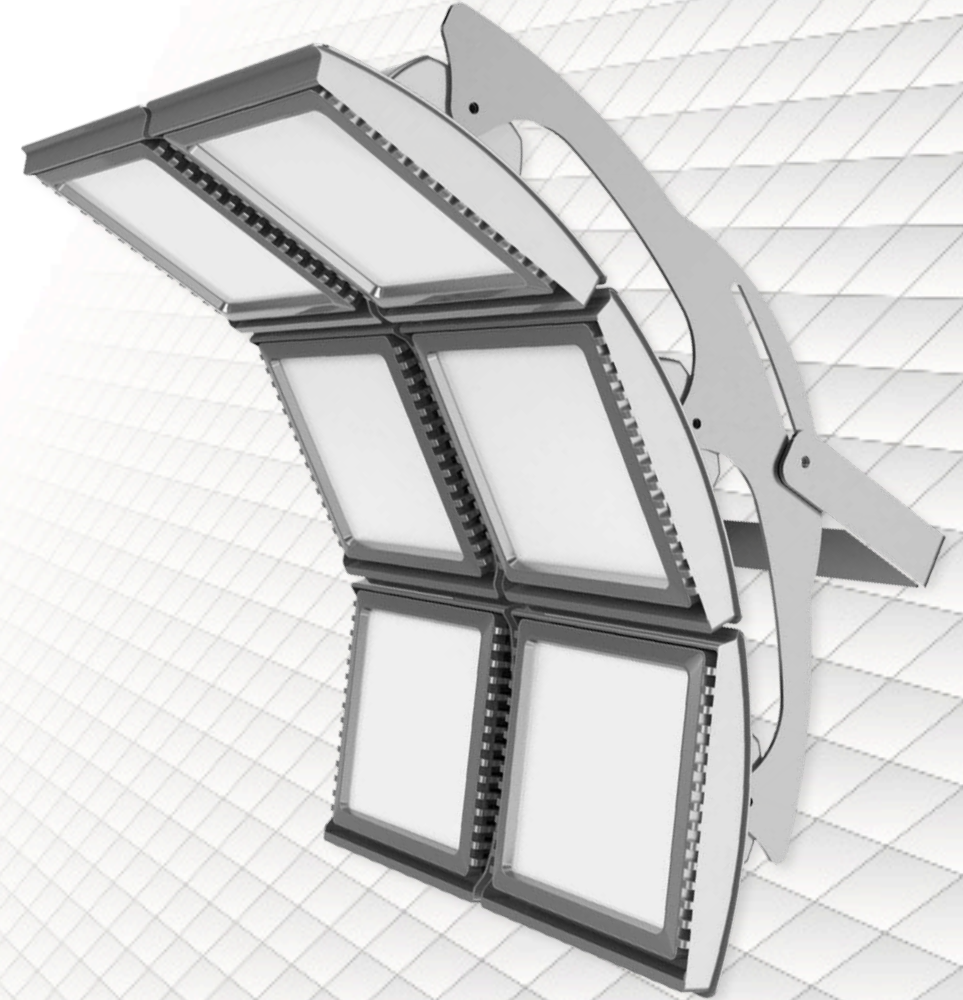
FLOOD LUMINAIRES

- 28W, 55W, 100W, and 130W
- From 3,000 to 15,000 lumens
- Spot, Medium, Wide, Extra-Wide optics



HIGH OUTPUT FLOOD

- 180W, 360W, 540W, 720W
- From 21,000 to 130,000 lumens
- Spot, Medium, Wide, Extra-Wide optics



VISUAL COMFORT

- New Technology
- No pixilation
- Reduces the noticeable glare
- Compliments the aesthetic of the new line

VISUAL COMFORT

AREA



100W Option

WALL MOUNT



28W and 55W Options

CANOPY



28W and 55W Options

FLOOD



28W, 55W, 100W Options

BOLLARD



Available Standard

COMING SOON

Roll Out Plan



QuadroMax⁺PLUS

QUADROMAX PLUS AREA LIGHT

More Modular

- Six wattages reaching up to 750W PSMH replacement
- Up to 300W and 39,000lm+
- Versatile – AREA, WALL, and FLOOD applications



Trunnion



Knuckle Surface



Wall Pack



Pole



Knuckle Slipfitter

QUADROMAX PLUS AREA LIGHT

More Features

- Type II, III, IV, and V optics
- DLC Premium
- 10 Year Warranty



GENERAL OUTDOOR STRATEGY

Top Tier Solutions

- Step above traditional offering with focus on performance and aesthetic
- QuadroMax Plus
- Visual Comfort
- MPulse Architectural Range



General Purpose

- High-quality, performance-driven products

MaxLite®

A NEW WAVE OF LIGHT

HAZARDOUS LOCATION LIGHTING SOLUTIONS



HAZARDOUS LOCATION LIGHTING



Flood Light

- Class I Division 1 options
- Class I Division 2 options
- Replaces 250W MH to 400W MH
- Up to 60C operation



Highbay

- Replaces 250W MH to 400W PSMH
- Modular solution with area, flood, wall, and highbay lighting applications
- Up to 50C operation



High Output Flood Light

- Replaces 320W MH to 1000W PSMH
- Modular solution with narrow, medium, wide optics
- Up to 55C operation

HAZARDOUS LOCATION LIGHTING



Lowbay

- 23W
- Class I Division 2
- Class II Division 1
- Up to 65C operation



Linear Light

- 40W, 80W
- Class I Division 2
- Class II Division 1
- Up to 65C operation

MaxLite®

A NEW WAVE OF LIGHT

SIGNAGE



SIGNAGE TUBE – GEN2

MaxLite®

NEW



Key Features & Benefits

- Replacement for T12HO
- 120V-277V (UL Type-B)
- Double-sided LEDs designed for a virtual 360° illumination
- Plastic/Aluminum construction
- Non-Dimmable
- G13 w/R17d adapter
- CRI ≥ 80
- Long life: 50,000 hours (L70)
- 5 Year limited warranty
- Suitable for damp locations
- Suitable for enclosed fixture
- UV and IR free
- Mercury and lead free
- RoHS compliant
- Instant-on
- ETA: **In-Stock**

Item #	Length	Wattage	CCT	Lumens
DSL18T8SE465	4ft	18	6500K	2100
DSL24T8SE565	5ft	23	6500K	2800
DSL30T8SE665	6ft	30	6500K	4100
DSL36T8SE865	8ft	36	6500K	5000

SIGNAGE: LED MODULES

NEW



Key Features & Benefits

- Standard 160° batwing distribution
- 3M VHB tape and ruggedized screw bore
- IP65, ultrasonically welded case
- Long life: 50,000 hours (L70)
- 5 Year limited warranty
- Suitable for damp/wet locations
- UV and IR free
- Mercury and lead free
- RoHS compliant
- Instant-on
- ETA: **May**

Item #	Description	Wattage	CCT	Lumens
Normal Output Modules				
SM1N65	1-LED module	0.36	6500K	30
SM2N65	2-LED module	0.72	6500K	70
SM3N65	3-LED module	1.00	6500K	100
SM4N65	4-LED module	1.44	6500K	140
High Output Modules				
SM1H65	1-LED module	0.54	6500K	50
SM2H65	2-LED module	1.08	6500K	100
SM3H65	3-LED module	1.62	6500K	150
SM4H65	4-LED module	2.16	6500K	200

MaxLite®

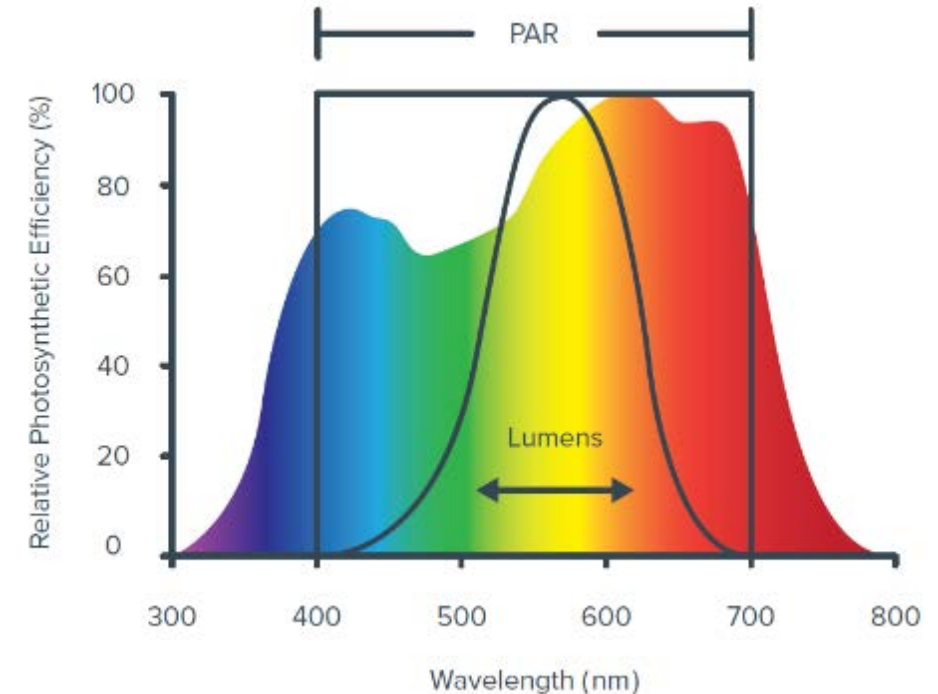
A NEW WAVE OF LIGHT

HORTICULTURE



HORTICULTURE LIGHTING METRICS TERMS & DEFINITIONS

1. **Par: (Photosynthetically Active Radiation Spectrum)-** 400-700nm Range of Photosynthesis
2. **Photosynthetic Photon Flux (PPF)-**Rate of flow for photons in PAR Band
3. **Photosynthetic Photon Flux Density (PPFD):** PAR photon flow rate per unit area on a surface
4. **Photoperiod:** The description for the duration of light use versus off. Ex.(18 Hours on, 6 Hours off)
5. **Daily Light Integral: (DLI)** Photosynthetic Photon flux density-Received over a 24 Hour period

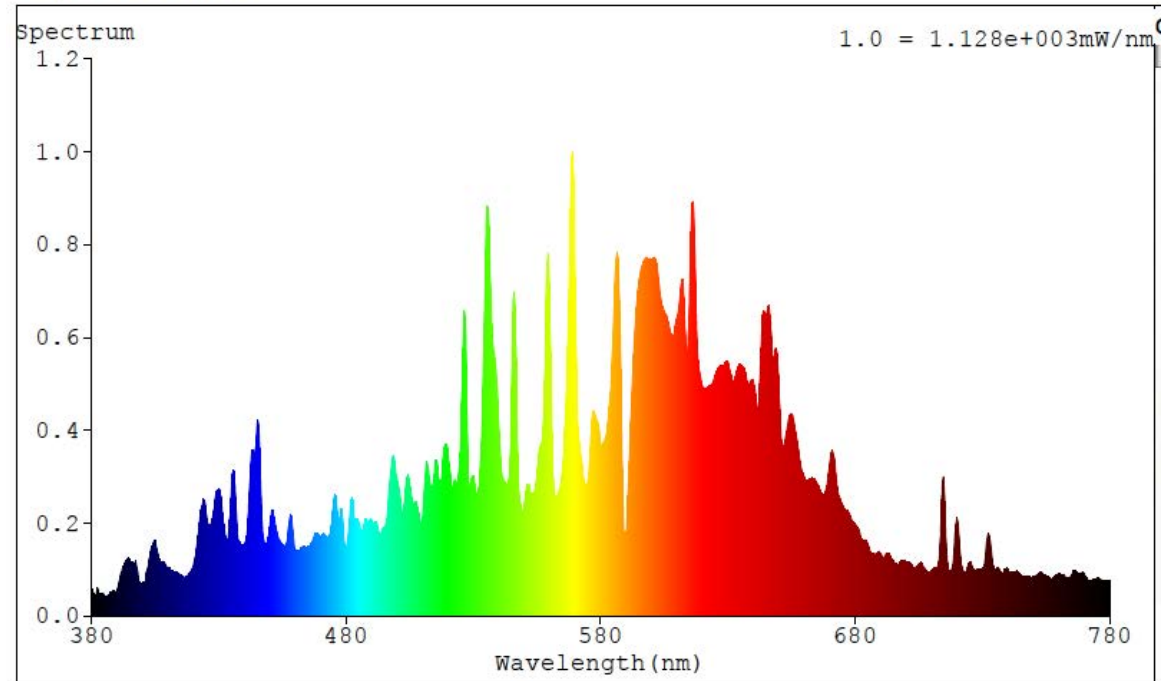


“Lumens are for humans!”

HORTICULTURE TERMS & DEFINITIONS CONTINUED

- **Photosynthetic Photon Efficacy:** ($\mu\text{mol}/\text{J}$) or ($\mu\text{mol}/\text{W}$) (PAR per Watt)
- **Photomorphogenesis:** Change in morphology (Shape) Response's to changes in lighting spectrum-
 - More to plant quality than just Photosynthetic response
- **Spectral Distribution Graph:** Image to the right
- **Stage of Growth-** (Clones & seedlings, Vegetative, Fruiting/Flowering)

Spectrum



Spectral Distribution

MaxLite: 315W CMH Lamp
Spectrum shown above

SPOT LIGHT SERIES: SPECIFICATIONS

Model Number	PH-SL600UF-L	PH-SL1200UF-L
Power Input VAC	90-305VAC	90-305VAC
Power Consumption	600W	1200W
Power Supply	Integrated	Integrated
PPF ($\mu\text{mol/s}$)	1650	3300
Spectrum-Fixed/Tunable	Fixed	Fixed
Efficiency ($\mu\text{mol/j}$)/($\mu\text{mol/W}$)	2.75	2.75
Mounting Height	18"-24"	24"-48"
Coverage Area	4'x4'	8'x8'
Cooling	Passive	Passive

**1000W DE HPS VS.
MaxLite 600W LED**

BTU Output	
Standard DE HPS	3412 BTU/Hour
PH-SL600UF-L	2047.2 BTU/Hour



**600W Model:
PH-SL600UF-L**

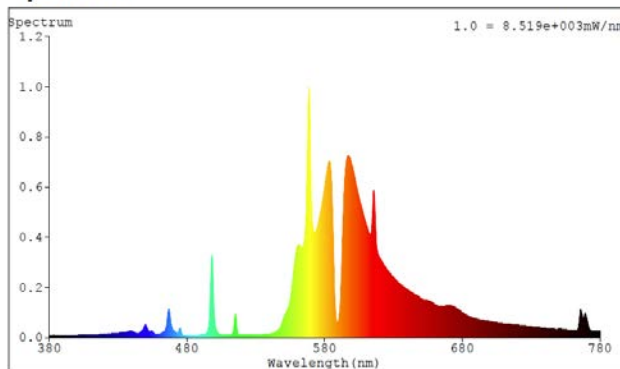
1. Ideal for High bay applications: 1000W DE HPS Replacement
2. Reduced HVAC Needs: See legacy HPS versus 600W LED
3. Deeper Canopy Penetration through Green Spectrum
4. Improved Morphological Response (Plant shape) and flavor profiles

LEGACY OFFERING → HID SOLUTIONS

Features:

1. Passive Cooling Design
2. High efficiency Ballast: Input Power Factor ≥ 0.98
3. 6 Phase Dimming-(600,750,850, 1000, 1150, EXT)
4. Industry Trusted Favorite
5. PPF: >2000 ($\mu\text{mol/s}$)

Spectrum



1000W Double Ended High Pressure Sodium (Complete Fixture)



Model Number:
PH-1000HPS-F-DE

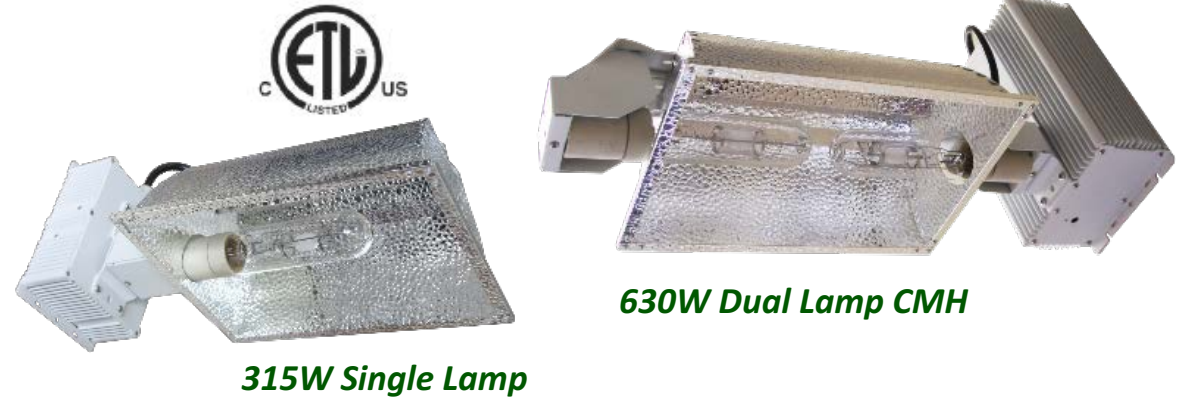
Warranty:

1. 3 Years Ballast
2. 1 Year (Lamp and Reflector)

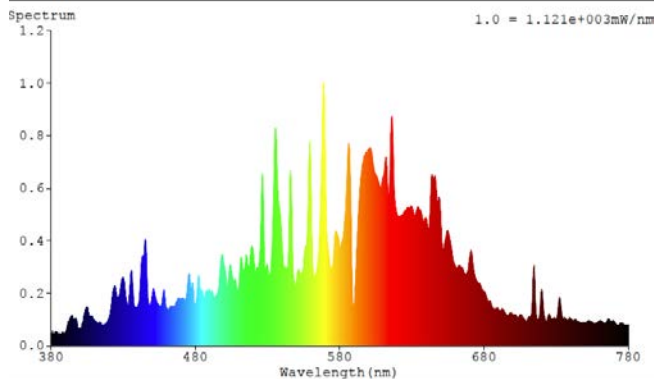
HID SOLUTIONS → CERAMIC METAL HALIDE

Features:

1. Full Spectrum
2. High CRI: ≥ 90
3. UV Spectrum Presence
4. Complete Fixture-(Ballast, reflector, lamp)
5. 3 Year Warranty Ballast
 - 1 Year (Reflector, Lamp)



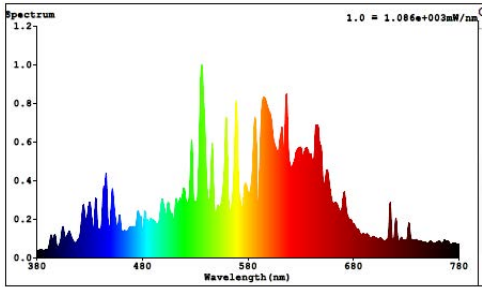
Spectrum



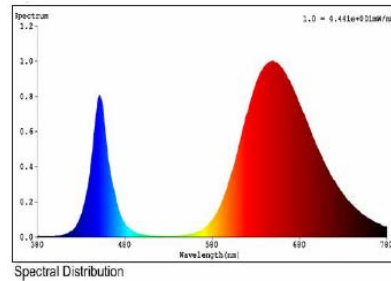
Model Number	630W Dual Lamp	315W Single Lamp
Power Input VAC	(120-240), (220-277) (347V Special Order)	(120-240), (220-277) (347V Special Order)
Power Consumption	630W	315W
Base/Lamp Type	PGZ18	PGZ18
PPF ($\mu\text{mol/s}$)	1100	550
Spectrum-Fixed/Tunable	Fixed	Fixed
Efficiency ($\mu\text{mol/j}$)/($\mu\text{mol/W}$)	1.75	1.75
Mounting Height	24"-48"	12"-24"
Coverage Area	6'x6'-8'x8'	3'x3'-5'x5'
Cooling	Passive	Passive

HORTICULTURE LAMPS: LED & HID

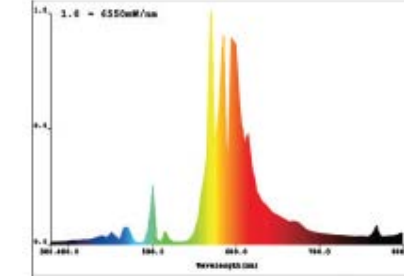
315W CMH Lamp and Spectral Chart:



Single Ended T8 Lamp and Spectral Chart:



1000W DE HPS Lamp and Spectral Chart:



Model Number	PH-MHL315130	L18T8SE415	PH-1000HPS-L-DE
Power Input VAC	120VAC	120-277VAC	400V
Power Consumption	315W	18W	1000W
Base/Lamp Type	PGZ18	T8 SE (Single Ended)	K12X30S
PPF ($\mu\text{mol/s}$)	550	25	2050
Spectrum-Fixed/Tunable	Fixed	Fixed	Fixed
Efficiency ($\mu\text{mol/j}$)/($\mu\text{mol/W}$)	1.75	1.4	2
Cooling	Passive	Passive	Passive
Life/Intensity Depreciation	10,000 HRS	25,000 HRS	10,000 HRS
Warranty	1 Year	2 Year	1 Year



Photon  **Max**[™]
BY **MaxLite**[®]

MaxLite®

A NEW WAVE OF LIGHT

THANK YOU!

