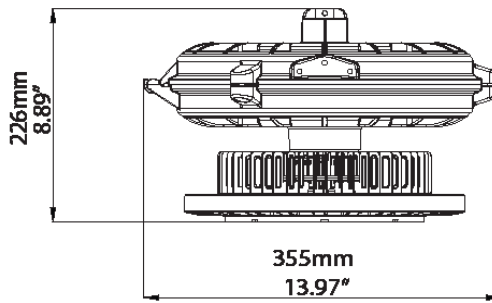


HIGHBAY CLASS I DIVISION 2 | HLR SERIES



The **HLR SERIES** hazardous location family of fixtures is suitable for use in a wide range of indoor and outdoor **Class I Division 2** applications. Available in eight mounting options and four wattages, this versatile family of fixtures can be used for ceiling, pendant, wall and surface applications, and replace traditional HID fixtures ranging from 175W to over 400W. The compact and low weight luminaires are safe and easy to use in **harsh and hazardous locations** where flammable or explosive vapors or gases are present. They are an ideal solution where long life and low maintenance are desired.



CLASSIFICATIONS & RATINGS:

- Class I, Division 2, Groups A, B, C, D
- Class II, Division 2, Groups F, G
- Marine Grade
- See table on page 2 for Temperature Code and ambient temperature ranges

CONSTRUCTION:

- Die cast AC3A (Copper-free Aluminum) top hat
- Die cast ADC-3T (Copper-free Aluminum) heatsink
- Stainless steel hardware
- Tempered Glass 3.2T (Clear)
- Polyester powder coat finish

ELECTRICAL:

- 8,350 lm to 15,470lm
- 120-277V or 347-480V available
- Power Factor: > 0.90
- 15 kV Surge Suppressor, standard

MOUNTING:

- Eight mounting accessories available, sold separately
- See page 3 for images
- See instruction manual for dimensions of mounting accessories

WARRANTY:

This product may qualify for a 5-year warranty. Contact MaxLite Inside Sales for details.

MODEL SELECTION		Typical order example: HLR110UW50PCG					
HLR			W	50		C	G
FAMILY	NOMINAL WATTAGE, EQUIVALENCY	VOLTAGE	DISTRIBUTION	CCT	MOUNTING OPTIONS		
HLR= Hazardous Location Round	80= 80W, 175W-250W MH Equivalency 110= 110W, 320W PSMH Equivalency 140= 140W, 400W MH Equivalency 170= 170W, 400 PSMH Equivalency	U= 120-277V H= 347-480V	W= 120°, wide distribution	50= 5000K	P= Pendant, Swivel Surface, Swivel Clamp Mount X= Ceiling, Wall Mount 90°, Wall Mount 40°, Stanchion 90°, Stanchion 25° Mount	C= Clear glass	G= Gray, std.

- Notes:**
1. Mounting accessories sold separately except for pendant mount, which is integral to the luminaire.
 2. Custom CCTs available. Please contact your MaxLite representative for lead times and quantities.

HIGHBAY CLASS I DIVISION 2 | HLR SERIES

SPECIFICATIONS:

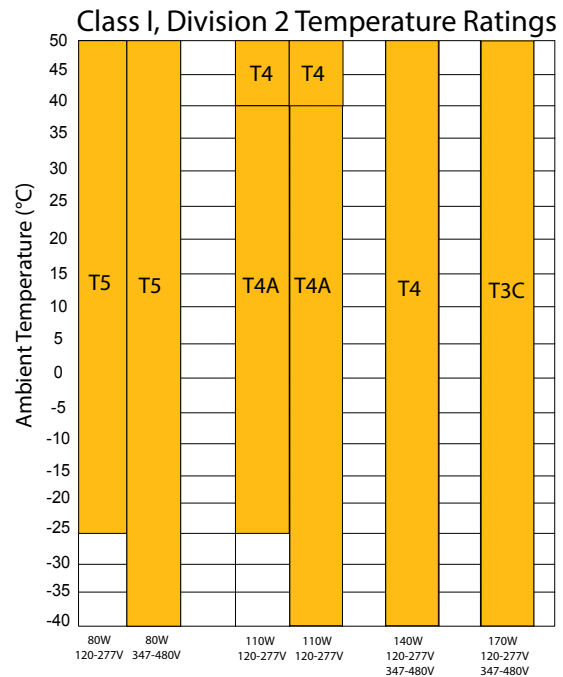
SPECIFICATIONS:		HLR80UW50*CG	HLR110UW50*CG	HLR140UW50*CG	HLR170UW50*CG
ITEM	SPECIFICATION	DETAILS			
GENERAL PERFORMANCE	Input Power (W)	77	109	136	167
	Lumens Delivered (lm)	8,350	12,580	13,260	15,470
	Efficacy (lm/W)	110	116	98	93
	CRI	≥74			
	Lumen Maintenance (L70, TM-21 @ 25°C)	≥65,000 hours		≥150,000 hours	
	Color Temperature	5000K standard, custom CCTs available			
	Spacing Criteria	Available Upon Request			
ELECTRICAL	Power Factor	> 0.90			
	Input Voltage	120-277V standard, 347-480V available			
PHYSICAL	Housing	Die cast aluminum with powder coat paint			
	Lens	Tempered Glass 3.2T			
	Weight	See Table Below			
	Humidity	5% - 95% RH, non condensing			
	Operating Temperature	-13°F - 122°F (-25°C - 50°C)		-40°F - 122°F (-40°C - 50°C)	
Qualifications	Qualifications	UL (cUL) 844, UL (cUL)1598, UL50E(NEMA4X), UL1598A, DLC 4.2 Standard ¹ , FCC, LM79, LM80			
	Environment	IP66			
	Material Usage	RoHS compliant; no mercury			
	Warranty	5-Year			

Notes:
1. 170W Models are not DLC Qualified

WEIGHT:

MODULE	WEIGHT
80W	14.3 lbs (6.5 kg)
110W	14.3 lbs (6.5 kg)
140W	15.4 lbs (7.0 kg)
170W	15.4 lbs (7.0 kg)

MODULE	WEIGHT
Ceiling	2.2 lbs (1.0 kg)
Wall 90°	3.3 lbs (1.5 kg)
Wall 40°	3.3 lbs (1.5 kg)
Stanchion 90°	2.2 lbs (1.0 kg)
Stanchion 25°	2.2 lbs (1.0 kg)
Swivel Surface	2.2 lbs (1.0 kg)
Swivel Clamp	3.3 lbs (1.5 kg)



HIGHBAY CLASS I DIVISION 2 | HLR SERIES

ORDERING:

ORDER CODE	MODEL	NOMINAL WATTAGE	MOUNTING OPTION COMPATIBILITY	INPUT VOLTAGE	CCT
96423	HLR80UW50PCG	80W	Pendant, Swivel Surface, Swivel Clamp Mount	120-277V	5000K
96419	HLR80UW50XCG		Ceiling, Wall 90°, Wall 40°, Stanchion 90°, Stanchion 25°		
96424	HLR110UW50PCG	110W	Pendant, Swivel Surface, Swivel Clamp Mount		
96420	HLR110UW50XCG		Ceiling, Wall 90°, Wall 40°, Stanchion 90°, Stanchion 25°		
96425	HLR140UW50PCG	140W	Pendant, Swivel Surface, Swivel Clamp Mount		
96421	HLR140UW50XCG		Ceiling, Wall 90°, Wall 40°, Stanchion 90°, Stanchion 25°		
96426	HLR170UW50PCG	170W	Pendant, Swivel Surface, Swivel Clamp Mount		
96422	HLR170UW50XCG		Ceiling, Wall 90°, Wall 40°, Stanchion 90°, Stanchion 25°		

*Please contact your MaxLite representative to order products that don't have order codes listed here.

MOUNTING ACCESSORIES:

ORDER CODE	MODEL	DESCRIPTION
96435	HLRCMG	Ceiling Mount
96440	HLRS22G	Stanchion 25° (1-1/2 NPT) Mount Bracket
96441	HLRS24G	Stanchion 25° (1-1/4 NPT) Mount Bracket
96438	HLRS92G	Stanchion 90° (1-1/2 NPT) Mount Bracket
96439	HLRS94G	Stanchion 90° (1-1/4 NPT) Mount Bracket
96443	HLRSCG	Swivel Clamp
96442	HLRSSG	Swivel Surface
96437	HLRW40G	Wall Mount 40°

HIGHBAY CLASS I DIVISION 2 | HLR SERIES

MOUNTING ACCESSORIES - X TYPE



HLRCMG =
Ceiling Mount

HLRW90G =
Wall 90°

HLRW40G =
Wall 40°

HLRS92G =
Stanchion 90°
(1-1/2" NPT)

HLRS22G =
Stanchion 25°
(1-1/2" NPT)

--or--

--or--

HLRS94G =
Stanchion 90°
(1-1/4" NPT)

HLR24G =
Stanchion 25°
(1-1/4" NPT)

MOUNTING ACCESSORIES - P TYPE:



HLRSCG =
Swivel Clamp

HLRSSG =
Swivel Surface

Pendant (3/4" NPT)
Pendant Mount: Accessory
included with fixture when the
"P" mounting option is ordered.
Not sold separately.

DIMENSIONS: See instruction manual for dimensions of mounting accessories.