



MAXLED Outdoor Emergency Battery Back Up



ML4LEMUE Shown

- ML4LEMU: Internal BBU
- ML4LEMUE: External BBU
- ML4LEMULT: Internal BBU for low temperature

DESCRIPTION/TECHNICAL SPECS

The ML4LEMU from MaxLite is a UL recognized LED emergency battery pack that allows the same LED fixture to be used for both normal and emergency operation. In the event of a power failure, the ML4LEMU switches to the emergency mode and operates the existing fixture for **90 minutes**. The unit includes one 16-cell or two 8-cell long life high temperature Ni-Cad battery packs, and a single can containing a charger and converter circuit for wiring to the fixture and test accessories. The ML4LEMU is for use with LED load up to **24W** at a rated current of **750mA**.

Input Voltage: (Dual 120/277 VAC, 60Hz)

Input Rating: 5.5 Watts

Output Voltage: 30 VDC

Output Current: 750 mA (constant)

Output Power: Up to 24W max

Emergency Operation: 90 minutes

Operating Temp: 0° to 50° C

Battery: High Temp Nickel-Cadmium

24 Hour Recharge

7-10 Year Life Expectancy



Test Switch Shown

ML4LEMU Shown

BENEFITS

- UL recognized component
- Long life high temperature recyclable Ni-Cad batteries
- Galvanized steel case
- Includes test switch and charge indicator accessory kit
- for use with switched or unswitched fixtures
- 5 year warranty
- Meets or exceeds all National Electrical Code and Life Safety Code Emergency Lighting Requirements

OPERATION

Normal Mode- A.C. power is present. The A.C. driver operates the LED light module(s) as intended. The ML4LEMU is in the standby charging mode. The **Charge indicator** will be lit providing a visual indication that the battery is being charged

Emergency Mode- The A.C. power fails. The ML4LEMU senses the A.C. power failure and automatically switches to the *Emergency Mode*. One or multiple LED light modules are illuminated, for a minimum of 90 minutes. When the A.C. power is restored, the ML4LEMU switches the system back to the *Normal Mode* and resumes battery charging.



MAXLED Outdoor Emergency Battery Back Up

ORDERING

To order emergency battery back up use:

ML4LEMU = Standard Internal

ML4LEMUE = Standard External

ML4LEMULT = Internal Low Temperature

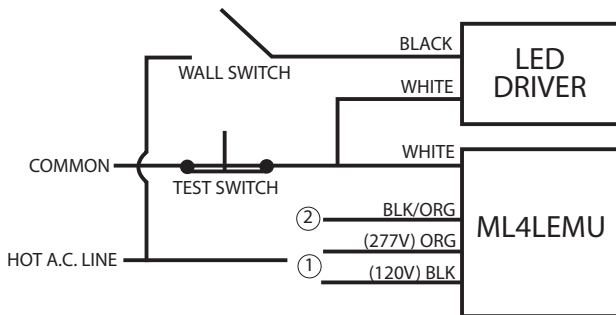
*Wet rated when installed in Wallpack
Damp rated when installed in Canopy

**Requires user supplied wet rated housing

*Wet rated when installed in Wallpack
Damp rated when installed in Canopy

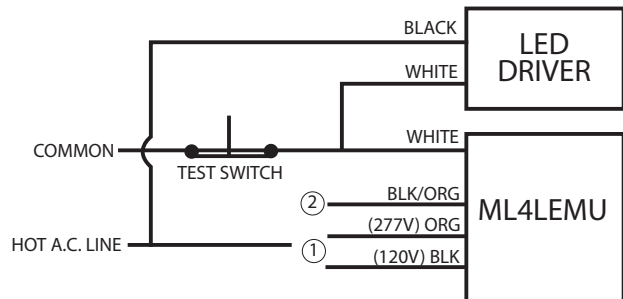
WIRING

Switched Fixture



- ① Select proper voltage lead. Cap unused lead.
- ② BLK/ORG lead for cold-weather unit only
For non-cold weather units, cap BLK/ORG lead
For cold weather unit 120V installation, connect BLK/ORG to BLK
For cold weather unit 277V installation, cap BLK/ORG and BLK separately

Unswitched Fixture



- ① Select proper voltage lead. Cap unused lead.
- ② BLK/ORG lead for cold-weather unit only
For non-cold weather units, cap BLK/ORG lead
For cold weather unit 120V installation, connect BLK/ORG to BLK
For cold weather unit 277V installation, cap BLK/ORG and BLK separately