

MLAR70LED50

LED - MEDIUM 70W AREA LIGHT



An efficient, energy saving replacement for metal halide and high-pressure sodium fixtures, containing an integral listed driver

Fixture can mount to parking fixture arm or flood elbow

FEATURES:

- Replaces up to 250 watt metal halide
- Lumens delivered: 4141
- Total watts consumed: 60.8 watts
- CCT: 5000K
- 50,000 hour life at L70 standards
- CRI: 67
- Full cutoff classification in type V pattern
- Self-contained driver
- Universal 120V through 277V
- Constructed without any hazardous materials
- Compatible with mechanical relay type Dusk to Dawn and Occupancy Sensor
- LM-79/80 data available
- 5 year limited warranty
- Does not attract insects
- BUG - B3/U0/G0 Rating
- Black ceramic paint frit reduces glare and improves appearance
- 100W and 140W models also available

PROJECT NAME	
CATALOG NUMBER	
NOTES	
FIXTURE TYPE	ROOM SCHEDULE



CONSTRUCTION:

Fixture: Heavy-duty cast aluminum one-piece housing is polyester coated. Fixture is rust and corrosion proof and sealed to be dirt and bug proof.

Lens: Tempered Glass

LED Module: Copper plating to provide high thermal transfer rate minimizing junction temperature of LED

Finish: Dark Bronze

Luminaire Ordering Information:

WATTS	ORDER CODE	MODEL NUMBER	LUMENS	LIFE (Hrs.)	DIMENSIONS (L"xW"xH")	CCT
60.8	71324	MLAR70LED50	4141	50,000	16.5 x 16.5 x 7.5	5000

Lighting layouts and spacing criteria available upon request

AVAILABLE ARM CONFIGURATIONS

ORDER CODE	MODEL NUMBER	DESCRIPTION
71453	AR12RPBZ	12" Parking Arm
71454	AR6STBZ	6" Parking Arm
71455	AR12STBZ	12" Parking Arm

Arms ordered separately
*Hardware included

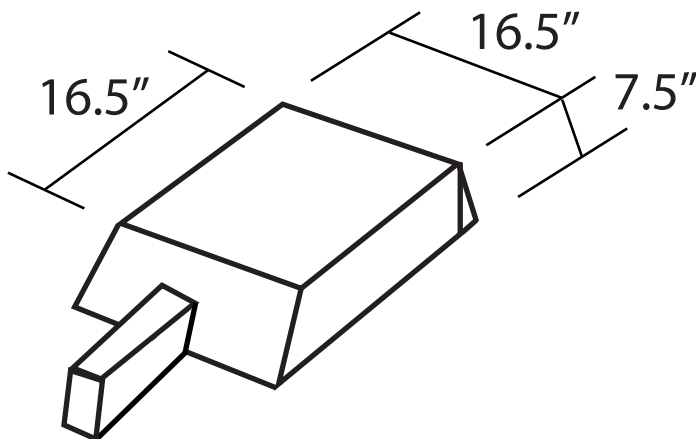


SPECIFICATIONS:

Item	Specification	Details
General Performance	Spacing Criteria	Available upon request
	Color Temperature	5000K
	Delivered Lumens	4141
	Efficacy	68 lumen/watt
	Color Consistency	Proprietary binning for uniform color
	Lumen Maintenance (L70)	50,000 hours
Electrical	Power Factor	Over 98%
	Input Voltage	120V-277V 50/60 Hz
	Power Consumption	60.8 Watts
Physical	Dimensions	16.5" x 16.5" x 7.5"
	EPA	1.10
	Weight	15 lbs.
	Housing	Aluminum
	Lens	Tempered Glass
	Mounting	Fixed parking arm or 270° flood elbow arm
	Operating Temperature	-30°F to 130°F
	Humidity	20% - 85% RH, non condensing
Certification	Certification	DLC, ETL, FCC, LM79, LM80
	Material Usage	RoHS compliant; no mercury
	Environment	Outdoor
	LED Class	N/A

Lighting layouts and spacing criteria available upon request

DIMENSIONS:



LED - MEDIUM 70W AREA LIGHT:



MOUNTING OPTIONS:



AR6STBZ
Parking Area Light Arm
6" length for 4" or 6" tube
Bronze finish
Extruded Aluminum



AR12STBZ
Parking Area Light Arm
12" length for 4" or 6" tube
Bronze finish
Extruded Aluminum



AR12RPBZ
Parking Area Light Arm
12" length for 4" pipe
Bronze finish
Extruded Aluminum

