

# MLAR100LED50

## LED - MEDIUM 100W AREA LIGHT



An efficient, energy saving replacement for metal halide and high-pressure sodium fixtures, containing an integral listed driver

Fixture can mount to parking fixture arm or flood elbow

### FEATURES:

- Replaces up to 400 watt metal halide
- Lumens delivered: 6963
- Total watts consumed: 101.3 watts
- CCT: 5000K
- 50,000 hour life at L70 standards
- CRI: 68
- Full cutoff classification in type V pattern
- Self-contained driver
- Universal 120V through 277V
- Constructed without any hazardous material
- Compatible with mechanical relay type Dusk to Dawn and Occupancy Sensor
- LM-79/80 data available
- 5 year limited warranty
- 70W and 140W models also available
- Does not attract insects
- BUG - B3/U0/G0 Rating
- Black ceramic paint frit reduces glare and improves appearance

PROJECT NAME	
CATALOG NUMBER	
NOTES	
FIXTURE TYPE	ROOM SCHEDULE



### CONSTRUCTION:

**Fixture:** Heavy-duty cast aluminum one-piece housing is polyester coated. Fixture is rust and corrosion proof and sealed to be dirt and bug proof.

**Lens:** Tempered Glass

**LED Module:** Copper plating to provide high thermal transfer rate minimizing junction temperature of LED

**Finish:** Dark Bronze

#### Luminaire Ordering Information:

WATTS	ORDER CODE	MODEL NUMBER	LUMENS	LIFE (Hrs.)	DIMENSIONS (L"xW"xH")	CCT
101.3	71325	MLAR100LED50	6963	50,000	16.5 x 16.5 x 7.5	5000

### AVAILABLE ARM CONFIGURATIONS

ORDER CODE	MODEL NUMBER	DESCRIPTION
71453	AR12RPBZ	12" Parking Arm
71454	AR6STBZ	6" Parking Arm
71455	AR12STBZ	12" Parking Arm

Arms ordered separately  
\*Hardware included



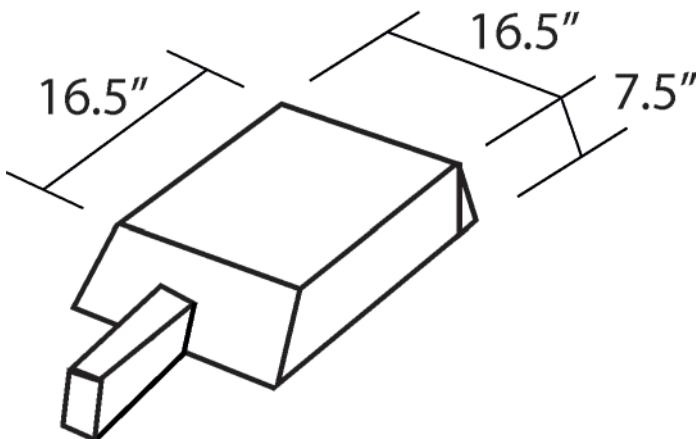
Lighting layouts and spacing criteria available upon request

**SPECIFICATIONS:**

Item	Specification	Details
<b>General Performance</b>	Spacing Criteria	Available upon request
	Color Temperature	5000K
	Delivered Lumens	6963
	Efficacy	68.3 lumen/watt
	Color Consistency	Proprietary binning for uniform color
	Lumen Maintenance (L70)	50,000 hours
<b>Electrical</b>	Power Factor	Over 98%
	Input Voltage	120V-277V 50/60 Hz
	Power Consumption	101.3 Watts
<b>Physical</b>	Dimensions	16.5" x 16.5" x 7.5"
	EPA	1.10
	Weight	17 lbs.
	Housing	Aluminum
	Lens	Tempered Glass
	Mounting	Fixed parking arm or 270° flood elbow arm
	Operating Temperature	-30°F to 130°F
	Humidity	20% - 85% RH, non condensing
<b>Certification</b>	Certification	DLC, ETL, FCC, LM79, LM80
	Material Usage	RoHS compliant; no mercury
	Environment	Outdoor
	LED Class	N/A

Lighting layouts and spacing criteria available upon request

**DIMENSIONS:**



# LED - MEDIUM 100W AREA LIGHT:



## MOUNTING OPTIONS:



**AR6STBZ**  
Parking Area Light Arm  
6" length for 4" or 6" tube  
Bronze finish  
Extruded Aluminum



**AR12STBZ**  
Parking Area Light Arm  
12" length for 4" or 6" tube  
Bronze finish  
Extruded Aluminum



**AR12RPBZ**  
Parking Area Light Arm  
12" length for 4" pipe  
Bronze finish  
Extruded Aluminum

