

MLAR AREA LIGHT



LED - AREA AND PARKING LIGHT

An efficient, energy saving replacement for metal halide and high-pressure sodium fixtures, containing an integral listed driver.

Fixture can mount to parking fixture arm or flood elbow

FEATURES:

- Replaces up to 308 Watt Pulse Start Metal Halide
- 70W – Lumens delivered 4470
100W – Lumens delivered 5944
- 70W – 68.4 Watts total consumed
100W – 93.5 Watts total consumed
- CCT: 5000K
- 50,000 hour life at L70 standards
- CRI: 70
- Full cutoff classification, type V pattern
- Self-contained driver
- Universal 120V through 277V
- Constructed without any hazardous material
- Compatible with mechanical relay type Dusk to Dawn and Occupancy Sensor
- LM-79/80 data available
- 5 Year Limited Warranty
- Does not attract insects
- BUG – 70W: B1/U0/G0 Rating
100W: B3/U0/G0 Rating
- Black ceramic paint frit reduces glare and improves appearance

CONSTRUCTION:

Fixture: Heavy-duty cast aluminum one-piece housing is polyester coated and is rust and corrosion proof. Fixture is sealed to be dirt and bug proof.

Lens: Tempered Glass

LED Module: Copper plating to provide high thermal transfer rate minimizing junction temperature of LED

Finish: Dark Bronze

Luminaire Ordering Information:

WATTS	ORDER CODE	MODEL NUMBER	LUMENS	L70 LIFE (Hrs.)	DIMENSIONS (L"xW"xH")	CCT
68.4	71324	MLAR70LED50	4470	50,000	16.5 x 16.5 x 7.5	5000
93.5	71325	MLAR100LED50	5944	50,000	16.5 x 16.5 x 7.5	5000

Lighting layouts and spacing criteria available upon request

PROJECT NAME	
CATALOG NUMBER	
NOTES	
FIXTURE TYPE	ROOM SCHEDULE



AVAILABLE ARM CONFIG	
AR12RPBZ	12" Parking Arm
AR6STBZ	6" Parking Arm
AR12STBZ	12" Parking Arm

Arms ordered separately
*Hardware included

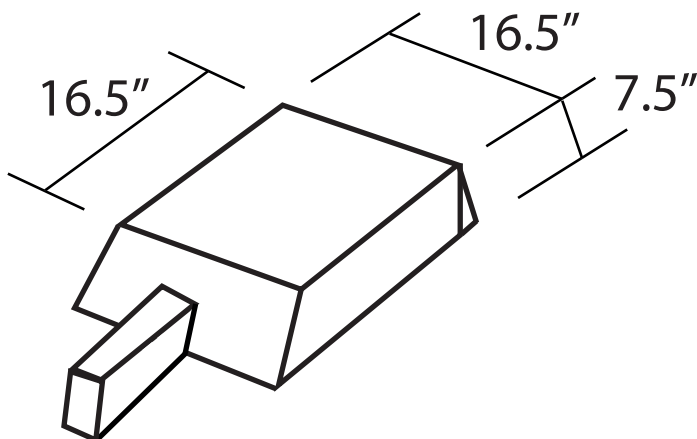


SPECIFICATIONS:

Item	Specification	MLAR70LED50 Details	MLAR100LED50 Details
General Performance	Spacing Criteria	Available upon request	Available upon request
	Color Temperature	5000K	5000K
	Delivered Lumens	4470	5944
	Efficacy	65 lumen/watt	63.6 lumen/watt
	Color Consistency	Proprietary binning for uniform color	Proprietary binning for uniform color
	Lumen Maintenance (L70)	50,000 hours	50,000 hours
Electrical	Power Factor	Over 92%	Over 98%
	Input Voltage	120V-277V 50/60 Hz	120V-277V 50/60 Hz
	Power Consumption	68.4 Watts	93.5 Watts
Physical	Dimensions	16.5" x 16.5" x 7.5"	16.5" x 16.5" x 7.5"
	Weight	15 lbs.	17 lbs.
	Housing	Aluminum	Aluminum
	Lens	Tempered Glass	Tempered Glass
	Mounting	Fixed parking arm or 270° flood elbow arm	Fixed parking arm or 270° flood elbow arm
	Operating Temperature	-30°F to 130°F	-30°F to 130°F
	Humidity	20% - 85% RH, non condensing	20% - 85% RH, non condensing
Certification	Certification	ETL, FCC, LM79, LM80	ETL, FCC, LM79, LM80
	Material Usage	RoHS compliant; no mercury	RoHS compliant; no mercury
	Environment	Outdoor	Outdoor
	LED Class	N/A	N/A

Lighting layouts and spacing criteria available upon request

DIMENSIONS:



MOUNTING OPTIONS:



AR6STBZ
Parking Area Light Arm
6" length for 4" or 6" tube
Bronze finish
Extruded Aluminum



AR12STBZ
Parking Area Light Arm
12" length for 4" or 6" tube
Bronze finish
Extruded Aluminum



AR12RPBZ
Parking Area Light Arm
12" length for 4" pipe
Bronze finish
Extruded Aluminum