

ML2L141RR6

6" Recessed Retrofit Fixtures



FEATURES:

- Maintenance free for up to 13 Years
- RoHS compliant and constructed without any hazardous materials
- Compatible with many dimming controls. See complete list on Pg. 3
- High quality polycarbonate lens
- 5 Year Limited Warranty
- Suitable for damp locations

CONSTRUCTION:

Fixture: Proprietary heat sink is fabricated from aluminum

Lens: Polycarbonate

LED Module: LED array features a chip on ceramic technology which maximizes thermal dissipation

LED Driver: Self contained driver meets UL 1310 UL 48 Class2

Finish: White or brushed nickel finish

Installation: UL classified for most 6" housings (see full list on Pg. 3)

Guaranteed single bin color consistency with enhanced illumination uniformity.

Luminaire Ordering Information:

WATTS	ORDER CODE	MODEL NUMBER	DELIVERED LUMENS	CRI	LAMP LIFE (Hrs.)	DIMENSIONS (W"xH")	CCT
14	71267	ML2L141RR6W30*	600	80	35,000	7.28 x 4.94	3000
14	71268	ML2L141RR6NI30*	600	80	35,000	7.28 x 4.94	3000
14	71178	ML2L141RR6W50	785	80	35,000	7.28 x 4.94	5000
14	71179	ML2L141RR6NI50	785	80	35,000	7.28 x 4.94	5000

Lighting layouts and spacing criteria available upon request

* Energy Star Qualified

PROJECT NAME
CATALOG NUMBER
NOTES
FIXTURE TYPE



MAX12046-02-14



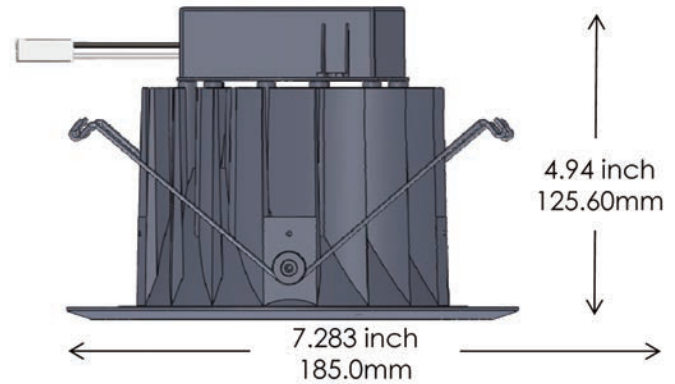
LED 6" RECESSED RETROFIT FIXTURE



SPECIFICATIONS:

Item	Specification	Details	
General Performance	Spacing Criteria	Available upon request	
	Color Temperature	3000K	5000K
	Lumens Delivered	600	785
	Efficacy	44 lumen/watt	
	Color Consistency	Proprietary binning for uniform color	
	Lumen Maintenance (L70)	50,000 hours	
Electrical	Power Factor	.92%	
	Input Voltage	110/120V 50/60 Hz	
	Power Consumption	14 Watts	
Physical	Dimensions	7.28" x 4.94"	
	Weight	3 lbs.	
	Housing	Aluminum	
	Lens	Polycarbonate	
	Mounting	Fits most 6" recessed housings	
	Operating Temperature	-30°F to 130°F	
Certification	Certification	UL	
	Material Usage	RoHS compliant; no mercury	
	Environment	Indoor	
	LED Class	N/A	

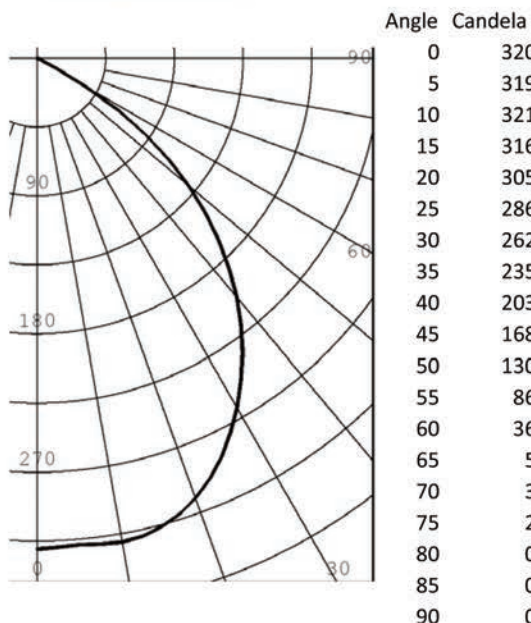
DIMENSIONS:



Lighting layouts and spacing criteria available upon request

PHOTOMETRICS:

Candela Distribution



Zonal Lumen Summary

Zone	Lumens	% Luminaire
0 - 30	251	40.89
0 - 40	397	64.65
0 - 60	601	97.92
0 - 90	614	100.00
40 - 90	217	35.35
60 - 90	13	2.08
90 - 180	0	0
0 - 180	614	100.00

Illuminance Cone Diagram

Distance from Workplane	Footcandles	Beam Diameter
4'	20	8'
6'	9	12.1'
8'	5	16.1'
10'	3	20.2'
12'	2	24.2'

COMPATIBLE DIMMERS:

Compatible Dimmers:

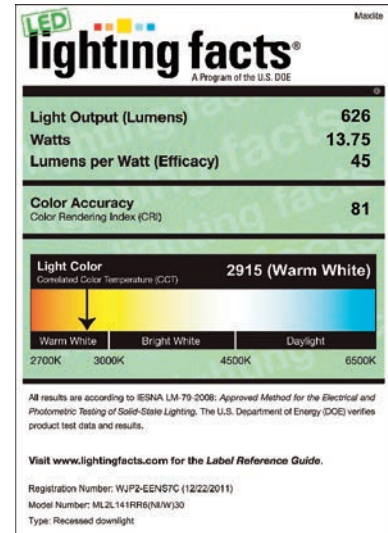
Cooper, Aspire Series (Part numbers 9530XXX)
 Leviton, Illumitech Series (Part numbers IPI06-XXX)
 Leviton, Trimatron Series (Part numbers 6602-X, 6681-X, 6683-X, 6684-X, 700-X and 705-X)
 Leviton, SureSlide Series (Part Numbers 6631)

Leviton, True Touch Series (Part Number 6606-1LM)
 Lutron Skylark Series (Part Number S-600, S2-LH)
 Lutron, Maestro Series (Part Numbers MAW-600)
 Lutron Nova T Series (Part number NTELV-600)
 Lutron Faedra (Part Number FAELV-500-XX)
 Leviton Acenti (Part Number ACE06-XXX)
 Leviton Vizia (Part Number VZE04)

COMPATIBLE 6" HOUSINGS:

Retrofit Conversion Model #	Recessed Luminaire and Trim Manufacturer	Recessed IC Luminaire Model #s	Recessed Non-IC Luminaire Model #s
ML2L141RR6	Halo	*H7ICT, H7ICAT, H7RICT, H7ICTNB, H7ICATNB, H7T, H7RT, H7TNB, H7UICAT, H7UICAT, H7RICAT, ET700, EI700R, EI700, EI700AT, EI700NB, EI700ATNB, ET700R, EI700RAT, EI2072RAT, EI2072AT, EI700U, EI700UAT	-
	Capri Lighting	CR1, QL1, PR1	QL1
	Juno	IC22, IC22R, IC2	TC2
	Thomas	PS1	-
	ELCO	EL7IC, EL7ICA, EL7IC100A, EL7RICA	R10H, RR10H
	Ruud/ E-Conolight	E-RIN6AT	-
	Ruud	R7EIC, R7RIC, R7ICAT	R7, R7R
	Lithonia	LC6	LC6
Prescolite	DBX, DBXQC, RMNICD, RMNICDAT, IBXHW	DBX, DBXQC, RMNICD, RMNICDAT, IBXHW	

ML2L141RR6(NI/W)30:



ML2L141RR6(NI/W)50:

