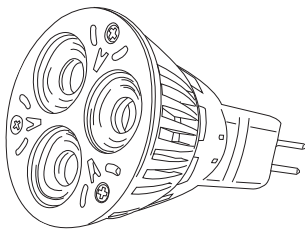
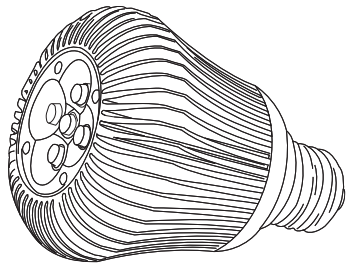
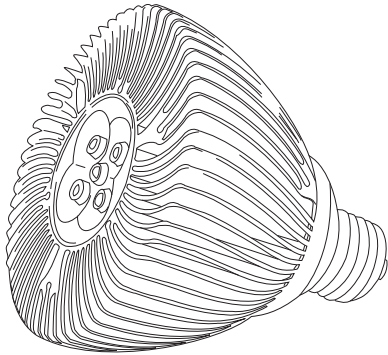
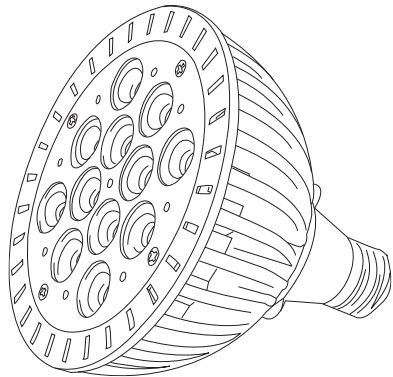


LED Screw-in Pars & MR16



For more information on MaxLite products, visit:
www.MaxLite.com. Click on "PRODUCT LINE"

FOR ORDERING:

Tel: 1-800-555-5629
Fax: 973-244-7333
E-mail: info@maxlite.com

MaxLite
12 York Ave
West Caldwell, NJ
07006

PRODUCT FEATURES:

- 50,000 Hour life – based on 30% lumen depreciation
- Two Colors: 3000K and 5000K
- Solid aluminum housing for thermo heat protection
- Dimming range 100% - 10%
- 120V – CRI 80
- MR16- 12V AC/DC
- CREE LEDs
- Photometrics and IES files available at www.maxlite.com (go to Product Line)





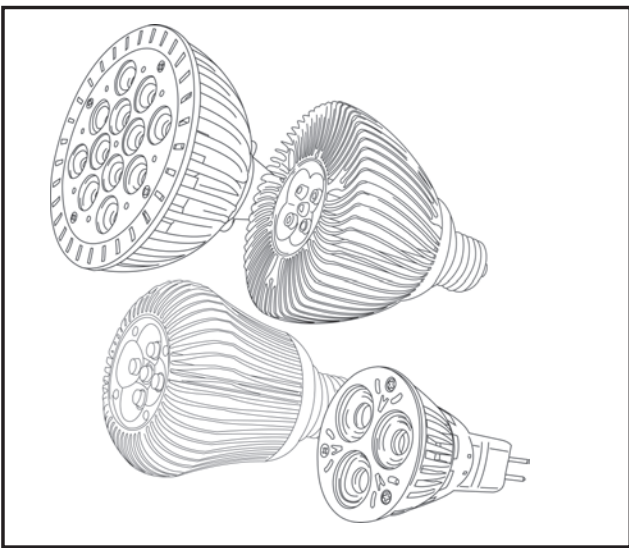
LED Screw-in Pars & MR16

LEDs: Industry leading CREE LEDs for long lasting performance. All LEDs are matched for color and CRI. The rated 50,000 hour life is based on L70 standards (when LEDs reach 30% lumen depreciation it is considered end of life).

Dimming: Dimmable models operate with standard wall dimmers and dim from 100% down to 10%.

Housing: The body of each lamp is solid aluminum. The aluminum acts as a heat sink providing thermal heat conductivity. This keeps the LED junction temperature well below the manufacturer's specification. The lamps stay cool and the lumens are maintained for longer life. The bodies are molded into fin shapes to increase the surface area of the aluminum. The larger the surface area, the more effective is the cooling.

Bases: All the PAR lamps are standard, medium, E26 Edison screw-in bases. The MR16s have a standard GU5.3 base.



PRODUCT FEATURES:

- 50,000 Hour Life
- Two Colors: 3000K and 5000K
- Dimming range 100% - 10%
- Solid Aluminum housing for thermo heat protection
- 120V – CRI 80
- MR16- 12V AC/DC
- CREE LEDs
- Photo metrics and IES Files available at www.maxlite.com (go to Product Line).

LED SCREW-IN PARs SPECIFICATIONS

* Photometrics & IES files available at www.maxlite.com

Watts	Order Code	Model Number	Incandescent Equivalent	Lumens	Beam Angle	Lamp Life (Hrs)	Pack Type	Case Pack	Dimensions (W"xMOL)	K
12	70366	SKR3812WWLED	75	525	30°	50,000	Box	12	4.8 x 4.9	3000
12	70367	SKR3812DLLED	75	525	30°	50,000	Box	12	4.8 x 4.9	5000
10	70368	SKR3010WWLED	60	500	30°	50,000	Box	12	3.8 x 4.7	3000
10	70369	SKR3010DLLED	60	500	30°	50,000	Box	12	3.8 x 4.7	5000
5	70370	SKR2005WWLED	45	300	30°	50,000	Box	12	3 x 4.3	3000
5	70371	SKR2005DLLED	45	300	30°	50,000	Box	12	3 x 4.3	5000

DIMMABLE LED SCREW-IN PARs SPECIFICATIONS

* Photometrics & IES files available at www.maxlite.com

Watts	Order Code	Model Number	Incandescent Equivalent	Lumens	Beam Angle	Lamp Life (Hrs)	Pack Type	Case Pack	Dimensions (W"xMOL)	K
12	70778	SKR3812DWWLED	75	525	30°	50,000	Box	12	4.8 x 4.9	3000
12	70779	SKR3812DDLLED	75	525	30°	50,000	Box	12	4.8 x 4.9	5000
10	70780	SKR3010DWWLED	60	500	30°	50,000	Box	12	3.8 x 4.7	3000
10	70781	SKR3010DDLLED	60	500	30°	50,000	Box	12	3.8 x 4.7	5000
5	70782	SKR2005DWWLED	45	300	30°	50,000	Box	12	3 x 4.3	3000
5	70783	SKR2005DDLLED	45	300	30°	50,000	Box	12	3 x 4.3	5000

LED MR16 SPECIFICATIONS

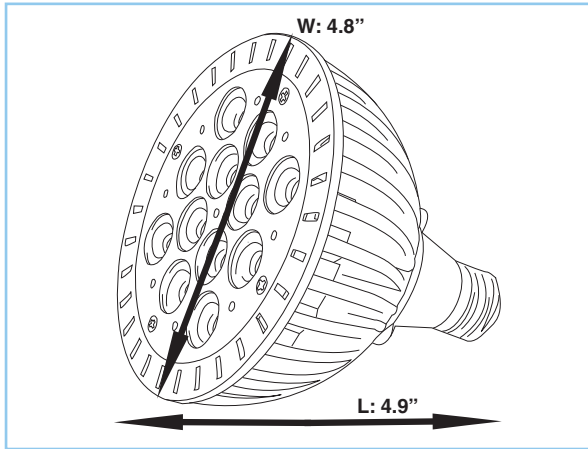
* MR16- 12V AC/DC

Watts	Order Code	Model Number	MR16 Equivalent	Lumens	Beam Angle	Lamp Life (Hrs)	Pack Type	Case Pack	Dimensions (W"xMOL)	K
4	70374	SKMR1604WWLED	30	160	38°	50,000	Box	24	1.8 x 2.8	3000
4	70375	SKMR1604DLLED	30	180	38°	50,000	Box	24	1.8 x 2.8	5000



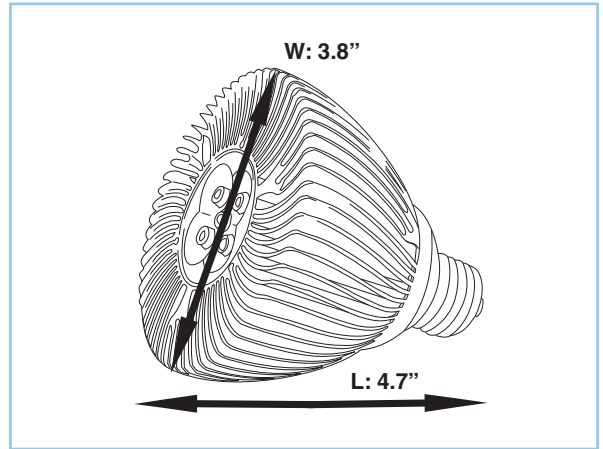
MAXLITE™ LED Screw-in Pars

Par 38 - (SKR3812) Dimming & Non Dimming



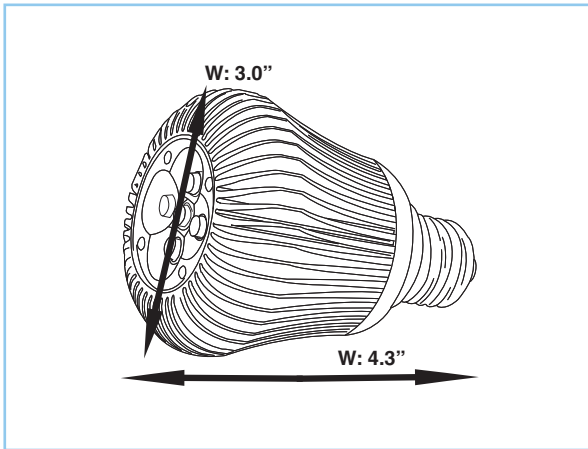
All specifications are subject to change without notice

Par 30 - (SKR3010) Dimming & Non Dimming



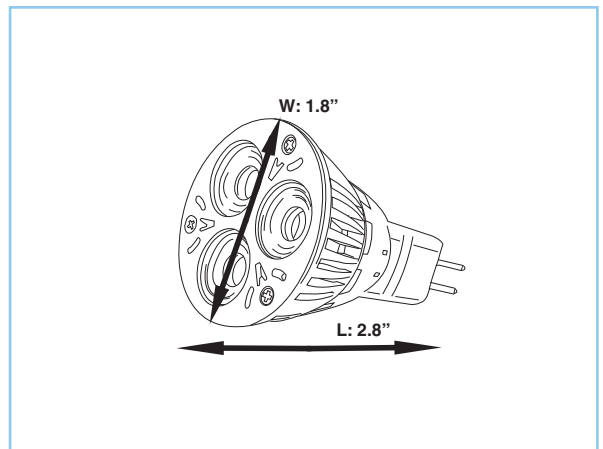
All specifications are subject to change without notice

Par 20 - (SKR2005) Dimming & Non Dimming



All specifications are subject to change without notice

MR 16 - (SKMR1604)



All specifications are subject to change without notice