



# Dimmable LED Screw-in PAR38



SKR3815DWWLED

**SKR3815DWWLED**  
15W Dimmable LED PAR38

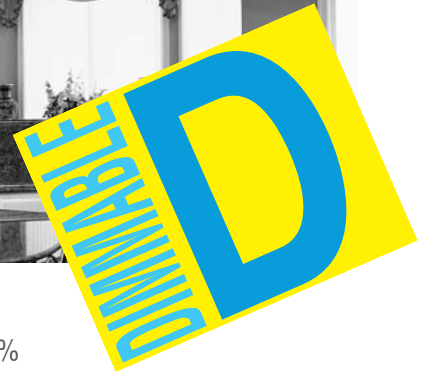
**LEDs:** Industry leading CREE LEDs for long lasting performance. All LEDs are matched for color and CRI. 50,000 Hour life is based on L70 Standards. (After 30% lumen depreciation MaxLite considers that as end-of-life; even though the lamp is still at 70% of initial lumens).

**Housing:** The body is solid aluminum, which acts as a heat-sink, providing thermal heat conductivity. This keeps the LED junction temperature within the required specifications. The lamp stays cool and the lumens are maintained for longer life. The molded fin shapes increase the surface area of the aluminum providing more effective cooling.

**Bases:** Standard medium E26 Edison screw in base.

**GENERAL SPECIFICATIONS**

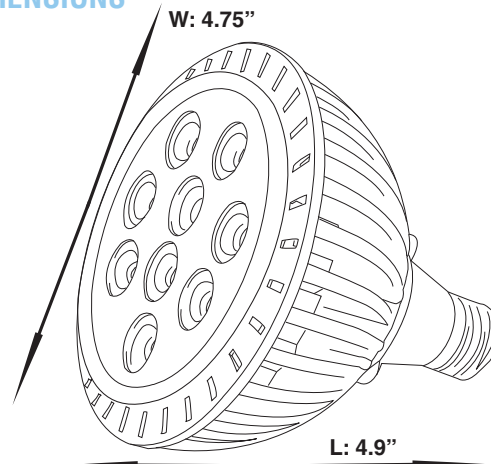
- Input Voltage: 120V, 50/60Hz
- Operating Temperature: 0°F ~ 100°F
- Power Factor: >90
- Beam Angle: 45°
- Luminous Efficacy: 42 lm/w
- CRI: 80



**BENEFITS**

- Fully dimmable down to 5%
- Works with all standard incandescent dimming switches
- High Power Factor
- CREE LEDs
- 50,000 Hour Life – based on L70 standards
- Color matched LEDs
- Solid aluminum housing for thermal heat protection
- 120V – CRI 80
- 3 Year Warranty

**DIMENSIONS**



**DECORATIVE LED BULB SPECIFICATIONS**

• Photo metrics and IES files available at [www.maxlite.com](http://www.maxlite.com) (go to Product Line)

Watts	Order Code	Model Number	Incandescent Equivalent	Base	Lumens	Lamp Life (Hrs)	Pack Type	Case Pack	Dimensions (W"xMOL)	K
15	70665	SKR3815DWWLED	75	E26	640	50,000	Box	12	4.75 x 4.9	2750