

PRODUCT FOCUS

HIGH MOUNT AREA LIGHT

Outdoor Fixture



- OUTDOOR LIGHTING** >> **DRIVEWAYS**
FOR WIDE AREAS >> **YARDS**
>> **PARKING LOTS**
>> **WORK AREAS**



ML4HM651AC

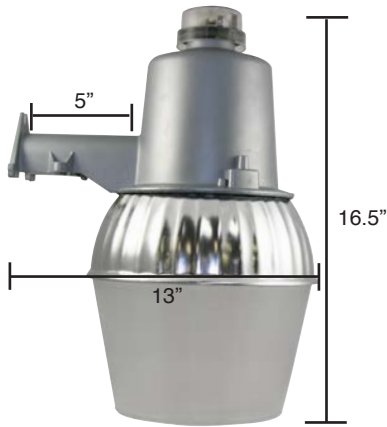
- Dusk to Dawn Photo Cell included
- Rust and corrosion proof die-cast metal housing
- 9" acrylic diffuser casts a wide area light - 16,800 sq.ft.
- Includes 1 x 65 Watt energy efficient High Mount Replacement Lamp



PRODUCT FOCUS

HIGH MOUNT AREA LIGHT

Outdoor Fixture



ML4HM651AC

10,000 Hour*

(7) 6762711553 (0)*



ML65ALRLDL

10,000 Hour*

(7) 6762711720 (6)*

*Included with purchase



ML85ALRLDL

10,000 Hour*

(7) 6762711726 (8)*



ML4HM651ACARMST

ACCESSORY

(7) 6762712669 (7)*

HIGH MOUNT AREA LIGHT SPECIFICATIONS

Order Code	Description	Lamp Life(Hrs)	Pack Type	Case Pack	Dimensions (W"xMOL")
70217	ML4HM651AC	10,000	Box	1	9.5" x 16.5"

HIGH MOUNT AREA LIGHT ACCESSORIES

Order Code	Description	Dimensions (Dia."x L")
71275	ML4HM651ACARMST - Arm for Area Light	1.5" x 19"

REPLACEMENT LAMP SPECIFICATIONS

Watts	Order Code	Description	Mercury Vapor Equivalent	Lumens	Efficacy (LM/W)	Power Factor	Lamp Life(Hrs)	Pack Type	Case Pack	Dimensions (W"xMOL")	K
65	70410	ML65ALRLDL (Included)	175	4350	70	.5	▲10,000	Box	6	3.5" x 11.9"	5000
85	70415	ML85ALRLDL	250	5700	65	.5	▲10,000	Box	6	3.5" x 11"	5000

SPECIAL NOTES

- >> 65 Watt and 85 Watt Area Replacement Lamps available
- >> 1 Year warranty from date of purchase

APPLICATIONS

- Driveways
- Yards
- Work Areas
- Parking Lots

LOCATIONS

- Barns
- Sheds
- Garages
- Utility Poles

BENEFITS

- Free twist & lock photo cell - Dusk to Dawn
- Long Life - 10,000 Hours▲
- UL Certified
- Self Ballasted Lamp
- Instant Start

SPECIFICATIONS

- Ballast Type >> Electronic
- Starting Method >> Instant Start
- Input Line Voltage >> 120VAC
- Input Line Frequency >> 50/60HZ
- Operating Temperature >> 0°-100°F
- Color Rendering Index >> 84

All specifications are subject to change without notice

*HPF: High Power Factor *NPF: Nominal Power Factor

Contains Mercury (Hg) Dispose of according to Local, State, and Federal Law / www.lamprecycle.org



FCC Certified
*UPC Codes