

COMMERCIAL FIXTURES AND LAMPS SPECIFICATIONS



STEP DOWN TRANSFORMER FROM 277V TO 120V



SDT277-120

SDT277-120

From 277V to 120V

A step down transformer that takes in 277 Volts and puts out 120V. Perfect for converting PL (pin-based) fixtures to more efficient GU24 fixtures. Simply disconnect the PL Ballast and hook up the Step Down Transformer. The power comes in 277V and goes out 120V. This allows the install of the more effective GU24 sockets and bulbs.



Hotel Lobby

BENEFITS

- Converts 277V to 120V
- Small size easily fits where PL ballast was located
- Converts to GU24 socket and bulb for full GU24 benefits
- Fully encased for good thermo management
- 1 Year Limited Warranty

GENERAL SPECIFICATIONS

Max Load: 26 Watts

Input Voltage: 277V

Output Voltage: 120V

Finish: Black



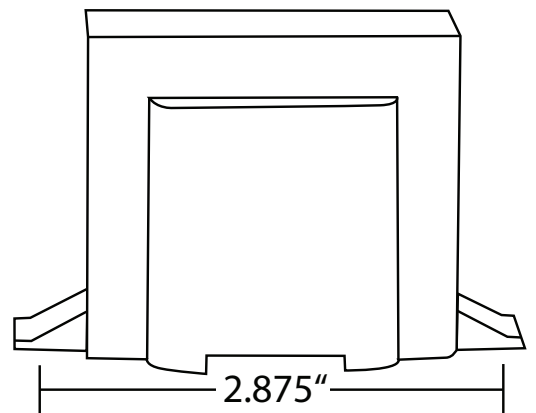
Grand Hotel Lobby

IDEAL FOR CONVERSIONS IN

COMMERCIAL AREAS OF HOTELS, HOSPITALS, PUBLIC SERVICE BUILDINGS AND COMMERCIAL BUILDINGS.

Wherever 277V is used.

DIMENSIONS (Center to Center)



277-120VAC STEP DOWN TRANSFORMERS SPECIFICATIONS

Order Code	Model Number	Input Voltage	Output Voltage	Max Load	Dimensions (Center to Center)
70668	SDT277-120	277V	120V	26W	2.875 in