



MAXLED Outdoor Fixture PhotoCell

BENEFITS

- Dusk to Dawn
- Available for 120VAC or 208-277VAC
- Activates when light levels drop below 20 lux
- Turns off when light levels reach 30 lux
- Works with all Outdoor LED fixtures
- Can operate multiple fixtures up to 300 Watts
- -30F to 120F operating temperature

TESTING PHOTOCELL DURING DAYLIGHT

- To test sensor cover with black tape. Wait 2 minutes fixture will turn on. Remove tape and fixture will turn off within 2 minutes

ORDERING

To order sensor use:

PC12 = 120VAC

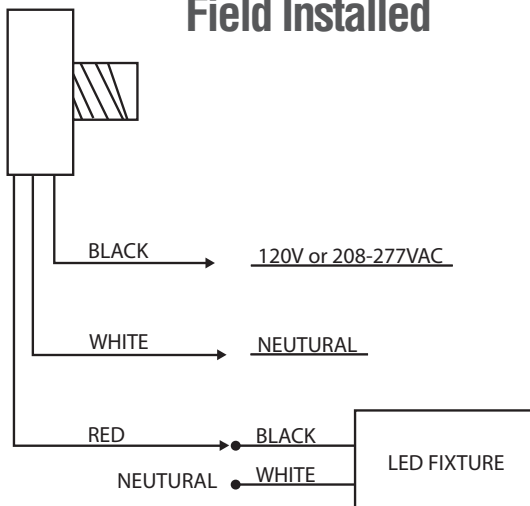
PC27 = 208-277VAC

To order with fixture Add:
(EX: MLSWP30LED50-PC12)

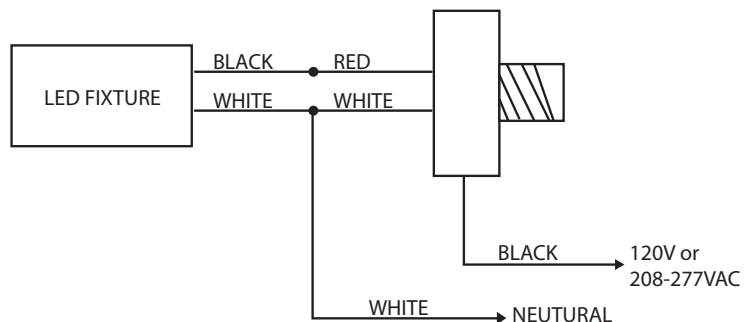


WIRING

Field Installed



Factory Installed



* 3 year limited warranty

* Not recommended for canopy or flush mount applications