

ML2L141RR6

6" Recessed Retrofit Downlight Fixtures

Designed as an energy efficient lighting solution for remodeling or new construction projects, MaxLite's LED Recessed Retrofit downlights are the ideal replacements for 50- to 75-watt incandescent lamps in the industry's most popular four and six-inch recessed downlight fixtures. Part of the MaxLED® family of products, the LED Recessed Retrofit downlights deliver uniform color distribution and superior quality lighting compared to most incandescent and CFL fixtures.

PROJECT NAME
CATALOG NUMBER
NOTES
FIXTURE TYPE

FEATURES:

- Maintenance free for up to 13 years
- RoHS compliant and constructed without any hazardous materials
- Compatible with many dimming controls. See complete list on pg. 3
- High quality polycarbonate lens
- 5 year limited warranty
- Suitable for damp locations
- Dimmable down to 10 percent

CONSTRUCTION:

Fixture: Proprietary heat sink is fabricated from aluminum

Lens: Polycarbonate

LED Module: LED array features a chip on ceramic technology which maximizes thermal dissipation

LED Driver: Self contained driver meets UL 1310 UL 48 Class2

Finish: White or brushed nickel finish

Installation: UL classified for most 6" housings (see full list on pg. 3)

Guaranteed single bin color consistency with enhanced illumination uniformity

Luminaire Ordering Information:

WATTS	ORDER CODE	MODEL NUMBER	DELIVERED LUMENS	CRI	LAMP LIFE (Hrs.)	DIMENSIONS (W"xH")	CCT
14	71267	ML2L141RR6W30*	600	80	35,000	7.28 x 4.94	3000
14	71268	ML2L141RR6NI30*	600	80	35,000	7.28 x 4.94	3000
14	71178	ML2L141RR6W50	785	72	35,000	7.28 x 4.94	5000
14	71179	ML2L141RR6NI50	785	72	35,000	7.28 x 4.94	5000

Lighting layouts and spacing criteria available upon request

* ENERGY STAR® Qualified



ML2L141RR6

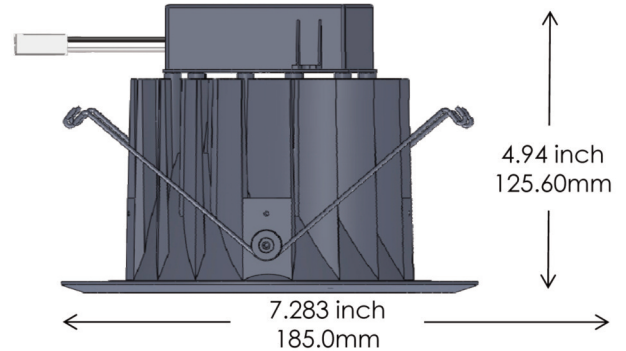
6" Recessed Retrofit Downlight Fixtures



SPECIFICATIONS:

Item	Specification	Details
General Performance	Spacing Criteria	Available upon request
	Color Temperature	3000K 5000K
	Lumens Delivered	600 785
	Efficacy	44 lumen/watt
	Color Consistency	Proprietary binning for uniform color
	Lumen Maintenance (L70)	50,000 hours
Electrical	Power Factor	.92%
	Input Voltage	110/120V 50/60 Hz
	Power Consumption	14 Watts
Physical	Dimensions	7.28" x 4.94"
	Weight	3 lbs.
	Housing	Aluminum
	Lens	Polycarbonate
	Mounting	Fits most 6" recessed housings
	Operating Temperature	-30°F to 130°F
Certification	Certification	UL
	Material Usage	RoHS compliant; no mercury
	Environment	Indoor
	LED Class	N/A

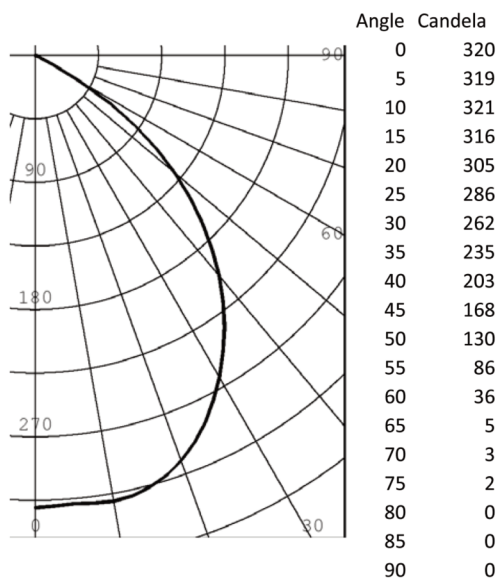
DIMENSIONS:



Lighting layouts and spacing criteria available upon request

PHOTOMETRICS:

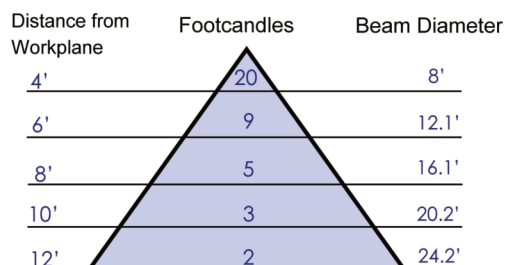
Candela Distribution



Zonal Lumen Summary

Zone	Lumens	% Luminaire
0 - 30	251	40.89
0 - 40	397	64.65
0 - 60	601	97.92
0 - 90	614	100.00
40 - 90	217	35.35
60 - 90	13	2.08
90 - 180	0	0
0 - 180	614	100.00

Illuminance Cone Diagram



ML2L141RR6

6" Recessed Retrofit Downlight Fixtures



COMPATIBLE DIMMERS:

Compatible Dimmers:

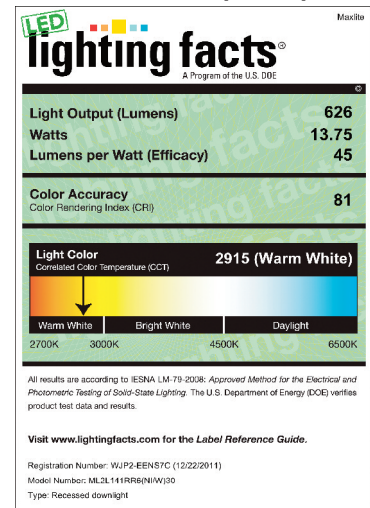
Cooper, Aspire Series (Part numbers 9530XXX)
 Leviton, Illumitech Series (Part numbers IPI06-XXX)
 Leviton, Trimatron Series (Part numbers 6602-X, 6681-X, 6683-X, 6684-X, 700-X and 705-X)
 Leviton, SureSlide Series (Part Numbers 6631)

Leviton, True Touch Series (Part Number 6606-1LM)
 Lutron Skylark Series (Part Number S-600, S2-LH)
 Lutron, Maestro Series (Part Numbers MAW-600)
 Lutron Nova T Series (Part number NTELV-600)
 Lutron Faedra (Part Number FAELV-500-XX)
 Leviton Acenti (Part Number ACE06-XXX)
 Leviton Vizia (Part Number VZE04)

COMPATIBLE 6" HOUSINGS:

Retrofit Conversion Model #	Recessed Luminaire and Trim Manufacturer	Recessed IC Luminaire Model #s	Recessed Non-IC Luminaire Model #s
ML2L141RR6	Halo	*H7ICT, H7ICAT, H7RICT, H7ICTNB, H7ICATNB, H7T, H7RT, H7TNB, H7UIC, H7UICAT, H7RICAT, ET700, EI700R, EI700, EI700AT, EI700NB, EI700ATNB, ET700R, EI700RAT, EI2072RAT, EI2072AT, EI700U, EI700UAT	-
	Capri Lighting	CR1, QL1, PR1	QL1
	Juno	IC22, IC22R, IC2	TC2
	Thomas	PS1	-
	ELCO	EL7IC, EL7ICA, EL7IC100A, EL7RICA	R10H, RR10H
	Ruud/ E-Conolight	E-RIN6AT	-
	Ruud	R7EIC, R7RIC, R7ICAT	R7, R7R
	Lithonia	LC6	LC6
	Prescolite	DBX, DBXQC, RMNICD, RMNICDAT, IBXHW	DBX, DBXQC, RMNICD, RMNICDAT, IBXHW

ML2L141RR6(NI/W)30:



ML2L141RR6(NI/W)50:

