

6" New Construction and Remodel LED Downlight Fixtures



MaxLite's LED downlights are great energy efficient solutions for recessed lighting applications. The new construction and remodel fixtures have been engineered to make installation in grid ceilings and dry wall ceilings a snap. Each recessed fixture is supplied with a performance-leading LED module and white trim ring that installs flush to the ceiling.

A high performance LED array emits industry leading lumen output, high CRI (85), and still delivers extended lifetime in excess of a 50,000 L70 measurement.

PROJECT NAME
CATALOG NUMBER
NOTES
FIXTURE TYPE

FEATURES:

- Fully dimmable down to 10 percent
- High lumen transmission and diffusing for even illumination
- CRI: >85
- Suitable for dry and wet locations
- Airtight rated – meets airtight requirements for 2.0 CFM or less air leakage
- Rated for direct insulation contact
- Supplied with internal thermal protection
- Universal voltage 120-277 volt
- Power factor: >.9
- Beam angle: 90 degree



RF614ICAT30W



RFR614ICAT30W

CONSTRUCTION:

- New construction housing includes 13" hanger bars, supplied with pre-installed nails: just hammer and go
- Impact-resistant plastic lens
- Housing and trim are gasketed to maximize building energy efficiency
- Hanger bars feature notches for easy installation to grid ceilings, which can be secured using wire or screws
- Remodel housing includes three push out mounting clips for easy installation
- Recessed housing is aluminum; new construction frame is steel

Luminaire Ordering Information:



Watts	Order Number	Model Number	Lumens	CRI	Luminair Life (Hrs.)	Fixture Dimensions W"x H" x L"	CCT
14	71781	RF614ICAT30W	900	85	50,000	10.37 x 7.5 x 7.63	3000
14	71787	RFR614ICAT30W	900	85	50,000	6.12 x 7.5 x 12.75	3000

MAX12208

Lighting layouts and spacing criteria available upon request

SPECIFICATIONS:

Item	Specification	RF614ICAT30W	RFR614ICAT30W
General Performance	Spacing Criteria	Available upon request	Available upon request
	Color Temperature	3000K	3000K
	Lumens Delivered	900	900
	Efficacy	64 lumen/watt	64 lumen/watt
	Color Consistency	Proprietary binning for uniform color	Proprietary binning for uniform color
	Lumen Maintenance (L70)	50,000 hours	50,000 hours
Physical	Dimensions	10.37" x 7.5" x 7.63"	6.12" x 7.5" x 12.75"
	Weight	1 lb.	1 lb.
	Housing	Aluminum	Aluminum
	Lens	Polycarbonate	Polycarbonate
	Mounting	Hanger bars for joists or grid ceilings	Mounting clips
	Operating Temperature	-30°F to 130°F	-30°F to 130°F
Certification	Certification	ETL, LM-79, LM-80	ETL, LM-79, LM-80
	Material Usage	RoHS compliant; no mercury	RoHS compliant; no mercury
	Environment	Indoor/outdoor	Indoor/outdoor
	Warranty	5 year	5 year

Lighting layouts and spacing criteria available upon request

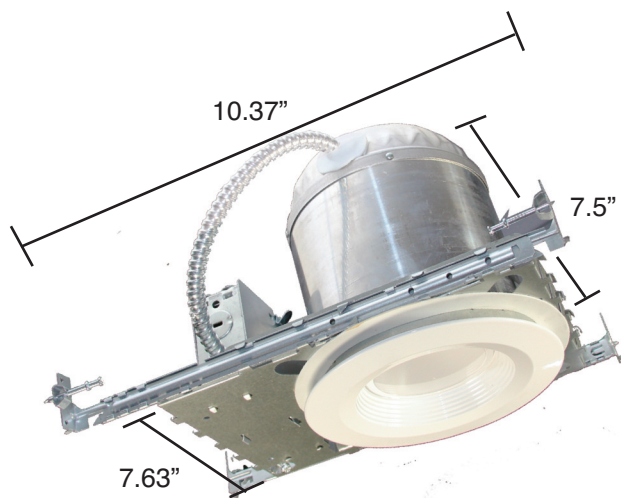
Approved Dimmers

120V Approved Dimmers

- Lutron: NovaT (Ntelv300 & 600)
Diva (Dvelv-300P & 303P)
- Leviton: Acenti: Ate06-1Lw
Trimatron: 703W

Consult tech. service or factory for additional dimmers

Dimensions



RF614ICAT30W



RFR614ICAT30W

6.12" Width of inner can

